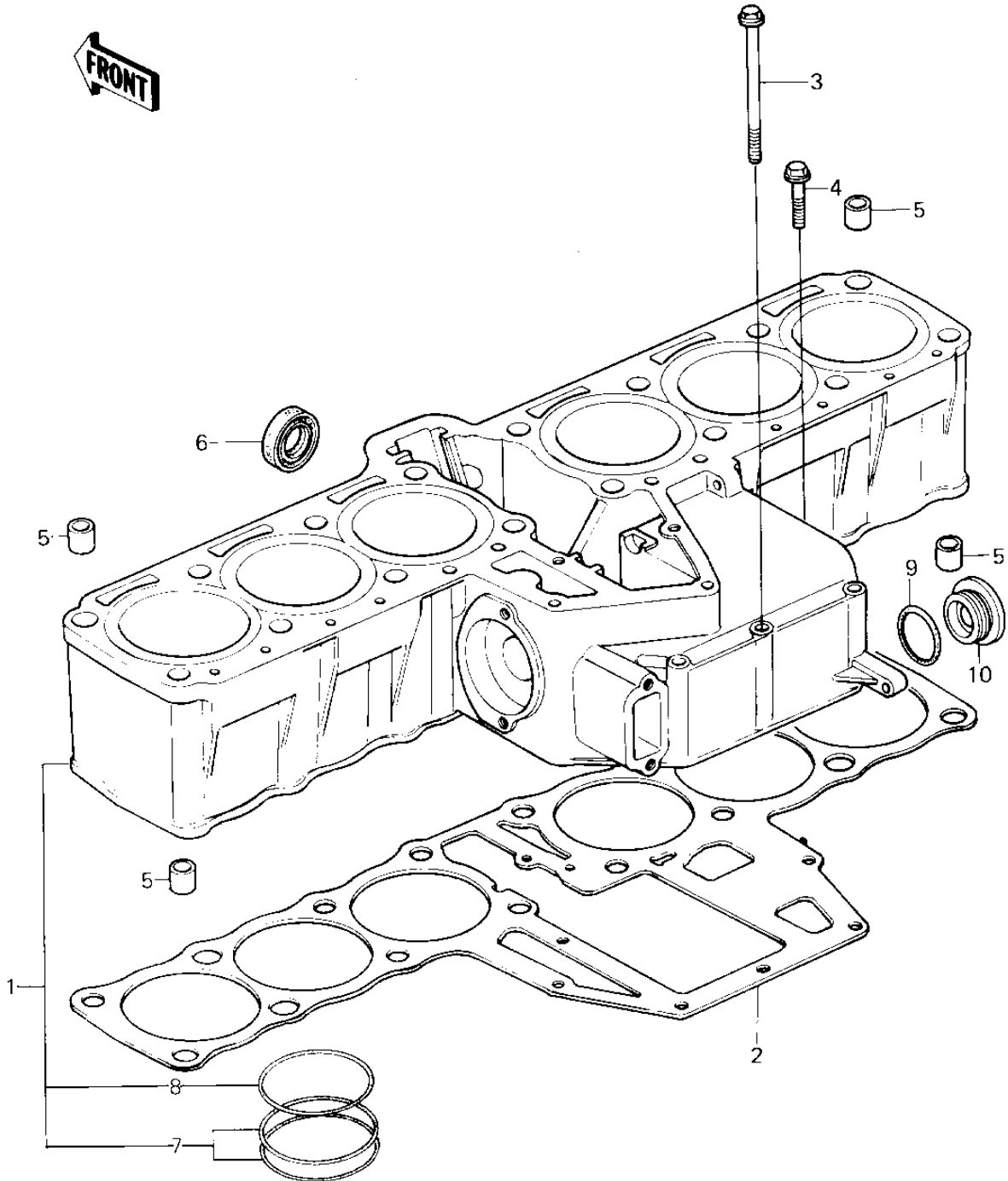


1980 KZ1300-A2 PARTS DIAGRAM

CYLINDER



1980 KZ1300-A2 PARTS LIST

CYLINDER

ITEM NAME	PART NUMBER	QUANTITY
CYLINDER ASSY (Ref # 1)	11006-1003	3
CYLINDER-ENGINE (Ref # 1)	11005-1104	3
GASKET,CYLINDER BASE (Ref # 2)	11009-1101	3
BOLT,FLANGED,6X85 (Ref # 3)	130G0685	3
BOLT (Ref # 4)	92003-202	3
PIN,11X14X12.3 (Ref # 5)	92043-1266	3
OIL SEAL,TC17317 (Ref # 6)	92049-1028	3
"O" RING,67MM (Ref # 7)	92055-1032	3
"O" RING,67.5MM (Ref # 8)	92055-1035	3
"O" RING,RELEASE PLUG (Ref # 9)	92055-091	3
PLUG,RELEASE (Ref # 10)	92067-024	3