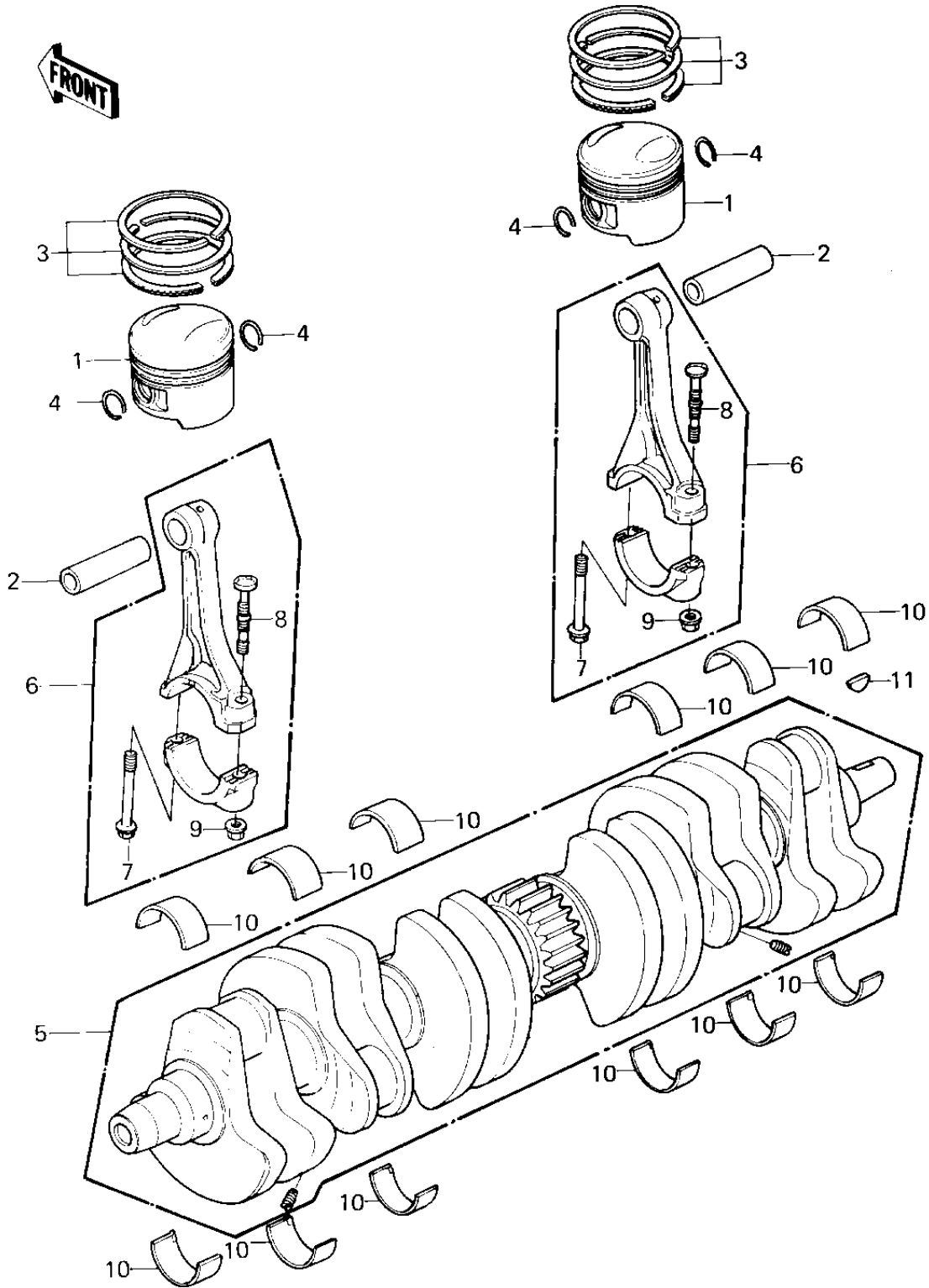


# 1981 KZ1300-A3 PARTS DIAGRAM

## CRANKSHAFT/PISTONS



# 1981 KZ1300-A3 PARTS LIST

## CRANKSHAFT/PISTONS

ITEM NAME	PART NUMBER	QUANTITY
PISTON-ENGINE,STD (Ref # 1)	13001-1113	6
PISTON-ENGINE L,O/S (Ref # 1)	13029-1061	6
PIN-PISTON (Ref # 2)	13002-032	6
RING-SET-PISTON,STD (Ref # 3)	13008-5059	6
RING-SET-PISTON-L (Ref # 3)	13025-5025	6
CIRCLIP PISTON PIN (Ref # 4)	92036-005	12
CRANKSHAFT-COMP SET (Ref # 5)	13031-5005	1
CRANKSHAFT-COMP SET (Ref # 5)	13031-5005	1
CRANKSHAFT-COMP (Ref # 5)	13031-1053	1
ROD-ASSY-CONNECTING (Ref # 6)	13251-1051-JJ	6
CONNECTING ROD ASSY,H (Ref # 6)	13251-1006-HH	6
CONNECTING ROD ASSY,I (Ref # 6)	13251-1006-II	6
BOLT,CONNECTING ROD (Ref # 7)	92001-1120	6
BOLT (Ref # 8)	92001-169	6
NUT,FLANGED,8MM (Ref # 9)	92015-1311	6
BUSHING,CONNECTNG ROD (Ref # 10)	92028-1049	12
BUSHING,CONNECTNG ROD (Ref # 10)	92028-1050	12
BUSHING,CONNECTNG ROD (Ref # 10)	92028-1051	12
WOODRUFF KEY (Ref # 11)	92038-001	1