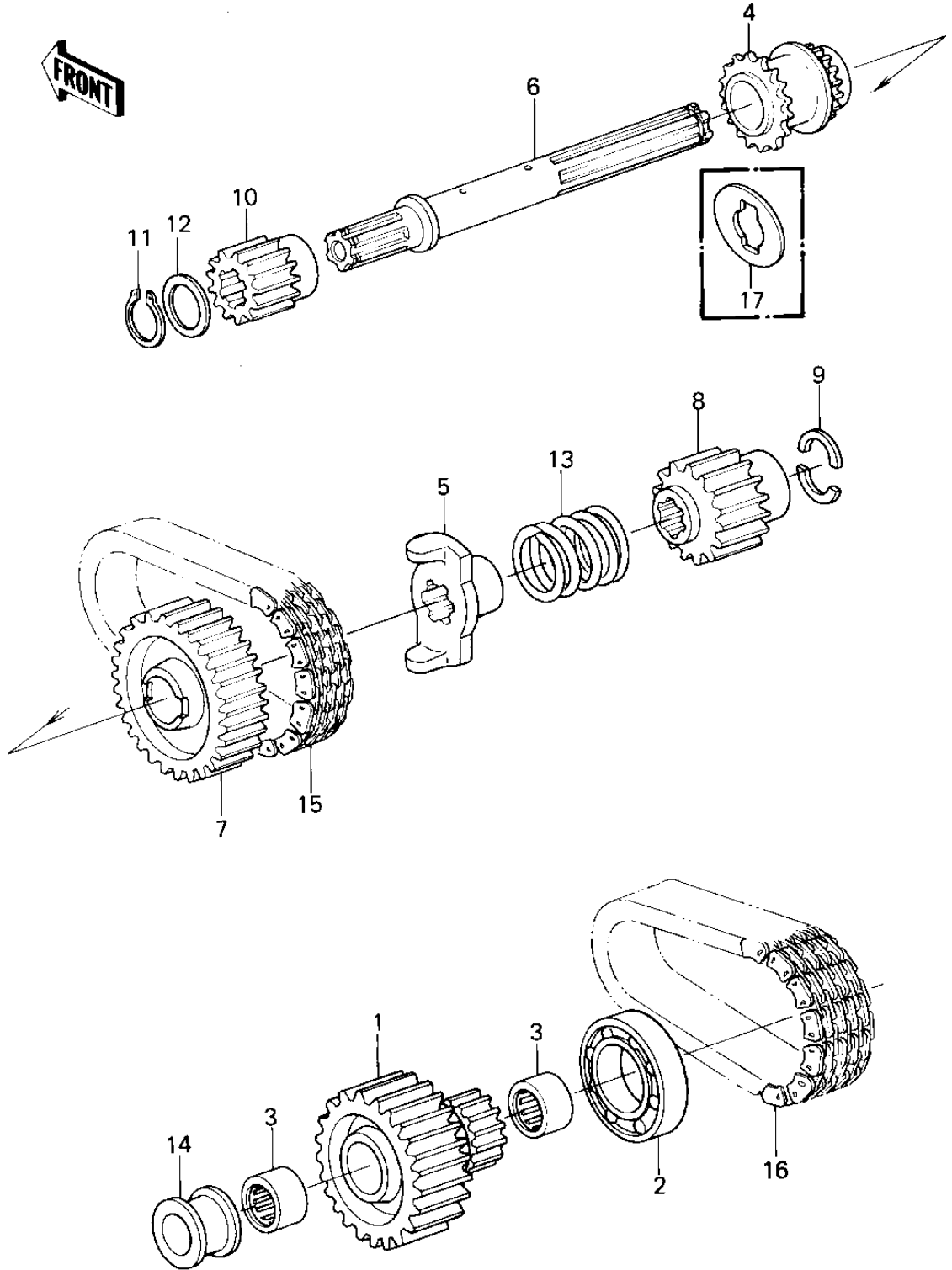


# 1981 KZ1300-A3 PARTS DIAGRAM

## SECONDARY SHAFT



# 1981 KZ1300-A3 PARTS LIST

## SECONDARY SHAFT

ITEM NAME	PART NUMBER	QUANTITY
SPROCKET,SECOND,DRVN (Ref # 1)	13112-1003	1
BEARING,BALL,#6009 (Ref # 2)	92045-1015	1
BEARING,NEEDLE,HK2520 (Ref # 3)	92046-1014	2
SPROCKET,TIMING,28,24 (Ref # 4)	12046-1011	1
FOLLOWER,CAM (Ref # 5)	13048-1001	1
SHAFT,SECONDARY (Ref # 6)	13107-1007	1
SPROCKET,PRIMARY,DRVN (Ref # 7)	13112-1001	1
SPROCKET-PRIMARY,32T (Ref # 7)	13112-1007	1
SPROCKET,SECOND,DRIVE (Ref # 8)	13112-1002	1
RING,POSITON (Ref # 9)	14013-1001	2
GEAR,OIL PUMP DRIVE (Ref # 10)	16085-1004	1
CIRCLIP,25M/M (Ref # 11)	480J2500	1
WASHER,25.3X33X1.0 (Ref # 12)	92022-1109	1
SPRING,CAM FOLLOWER (Ref # 13)	92081-1085	1
COLLAR,25X40X26.1 (Ref # 14)	92027-1136	1
CHAIN,PRIMARY (Ref # 15)	92057-1016	1
CHAIN,SECONDARY (Ref # 16)	92057-1017	1
PLATE,25X54X1.2 (Ref # 17)	13169-1327	1