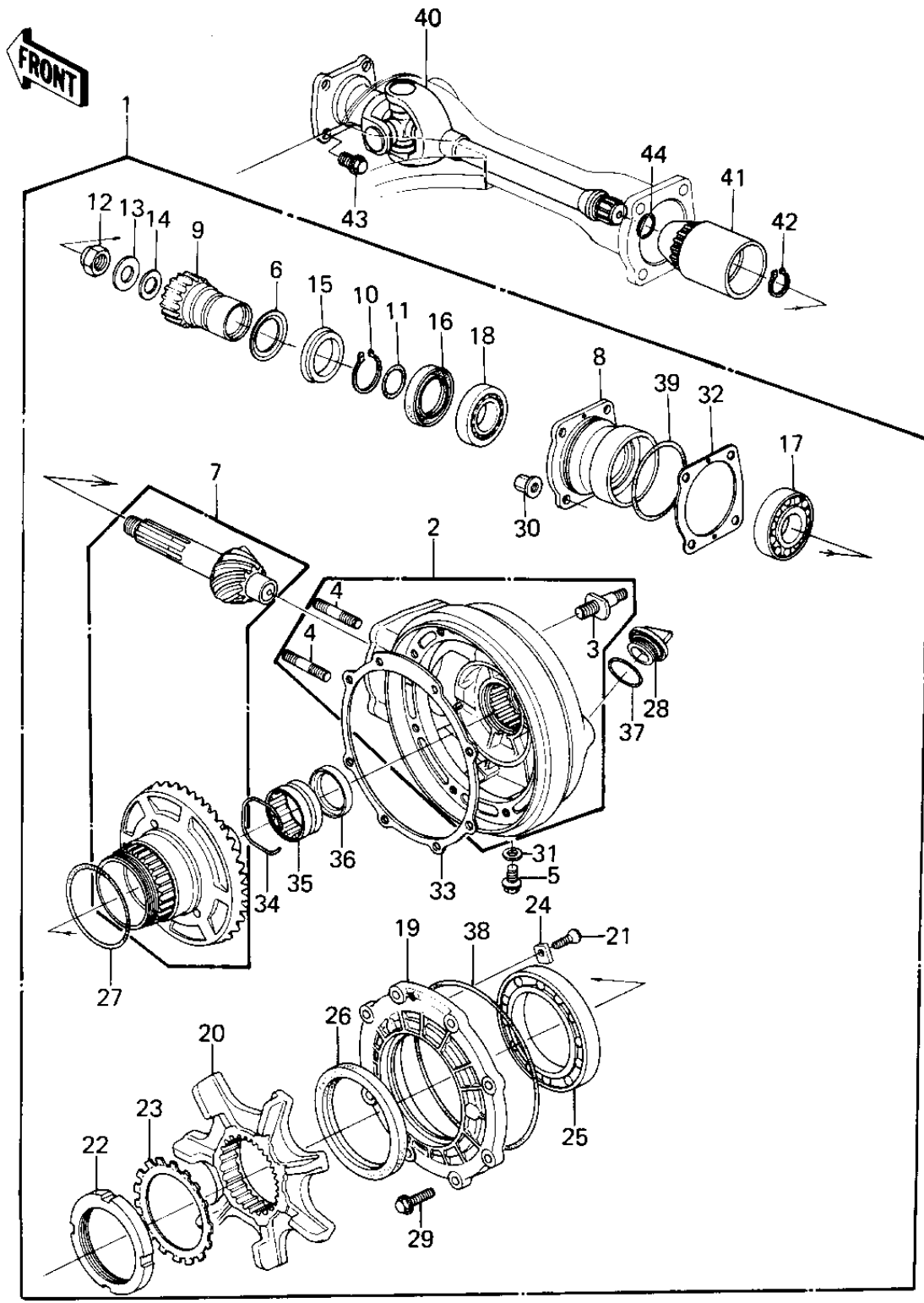


1980 KZ1300-A2 PARTS DIAGRAM

DRIVE SHAFT/FINAL GEARS



1980 KZ1300-A2 PARTS LIST

DRIVE SHAFT/FINAL GEARS

ITEM NAME	PART NUMBER	QUANTITY
GEAR ASSY,FINAL (Ref # 1)	13101-1007	3
CASE ASSY,FINAL GEAR (Ref # 2)	11021-1009	3
STUD (Ref # 3)	92004-1020	3
STUD,10X31.5 (Ref # 4)	92004-1021	3
BOLT,FLANGE (Ref # 5)	130B0812	3
PLATE,OIL SEAL GUIDE (Ref # 6)	13169-1129	3
GEAR SET,FINAL BEVEL (Ref # 7)	13101-5026	3
HOUSING,BEARING,FINAL (Ref # 8)	41046-1008	3
COUPLING PINION SHAFT (Ref # 9)	42034-1008	3
CIRCLIP,36M/M (Ref # 10)	480J3600	3
"0" RING,25MM (Ref # 11)	671B2525	3
NUT,16M/M (Ref # 12)	92015-1059	3
WASHER (Ref # 13)	92022-1105	3
SHIM (Ref # 14)	92025-1027	3
SHIM (Ref # 14)	92025-1028	3
SHIM (Ref # 14)	92025-1030	3
SHIM (Ref # 14)	92025-1031	3
SHIM (Ref # 14)	92025-1032	3
SHIM (Ref # 14)	92025-1033	3
SHIM (Ref # 14)	92025-1034	3
SHIM (Ref # 14)	92025-1034	3
SHIM (Ref # 14)	92025-1036	3
OIL SEAL,OS-50369HS (Ref # 15)	92049-1023	3
OIL SEAL,SC35558 (Ref # 16)	92049-1024	3
BEARING,R,4T30305C (Ref # 17)	92116-1002	3
BEARING (Ref # 18)	92116-1003	3
COVER,FINAL GEAR CASE (Ref # 19)	14025-1066	3
COUPLING,REAR HUB (Ref # 20)	42034-1007	3
SCREW,COUNTERSNK,6X16 (Ref # 21)	92009-1041	3

1980 KZ1300-A2 PARTS LIST

DRIVE SHAFT/FINAL GEARS

ITEM NAME	PART NUMBER	QUANTITY
NUT,75M/M,RING GEAR (Ref # 22)	92015-1060	3
WASHER,75M/M,RING GER (Ref # 23)	92022-1106	3
WASHER,BEARING STOPPR (Ref # 24)	92022-1112	3
BEARING,BALL,16016 (Ref # 25)	92045-1020	3
OIL SEAL,S-901159HS (Ref # 26)	92049-1026	3
"O" RING,75MM (Ref # 27)	92055-1031	3
CAP (Ref # 28)	16115-1003	3
BOLT,8X28 (Ref # 29)	92001-1095	3
NUT,10MM (Ref # 30)	92015-1415	3
WASHER (Ref # 31)	92022-1086	3
SHIM,73X0.6 (Ref # 32)	92025-1037	3
SHIM,73X0.9 (Ref # 32)	92025-1038	3
SHIM,73X1.2 (Ref # 32)	92025-1039	3
SHIM,73X0.1 (Ref # 32)	92025-1040	3
SHIM,73X0.15 (Ref # 32)	92025-1041	3
SHIM,73X0.2 (Ref # 32)	92025-1042	3
SHIM,73X0.3 (Ref # 32)	92025-1043	3
SHIM,168X0.6 (Ref # 33)	92025-1045	3
SHIM,168X0.9 (Ref # 33)	92025-1046	3
SHIM,168X1.2 (Ref # 33)	92025-1047	3
SHIM,168X0.1 (Ref # 33)	92025-1048	3
SHIM,168X0.15 (Ref # 33)	92025-1049	3
SHIM,168X0.3 (Ref # 33)	92025-1051	3
RING,SNAP (Ref # 34)	92033-1020	3
BEARING (Ref # 35)	92046-1020	3
OIL SEAL (Ref # 36)	92049-1025	3
"O" RING,31MM (Ref # 37)	92055-049	3
"O" RING,159MM (Ref # 38)	92055-1030	3
"O" RING,67MM (Ref # 39)	92055-1032	3

1980 KZ1300-A2 PARTS LIST

DRIVE SHAFT/FINAL GEARS

ITEM NAME	PART NUMBER	QUANTITY
SHAFT ASSY,PROPELLER (Ref # 40)	39158-1001	3
COUPLING,PROP SHAFT (Ref # 41)	42034-1009	3
CIRCLIP, 20MM (Ref # 42)	480J2000	3
BOLT,12X15,COUPLING (Ref # 43)	92001-1139	3
"O" RING,20.5MM (Ref # 44)	92055-1029	3