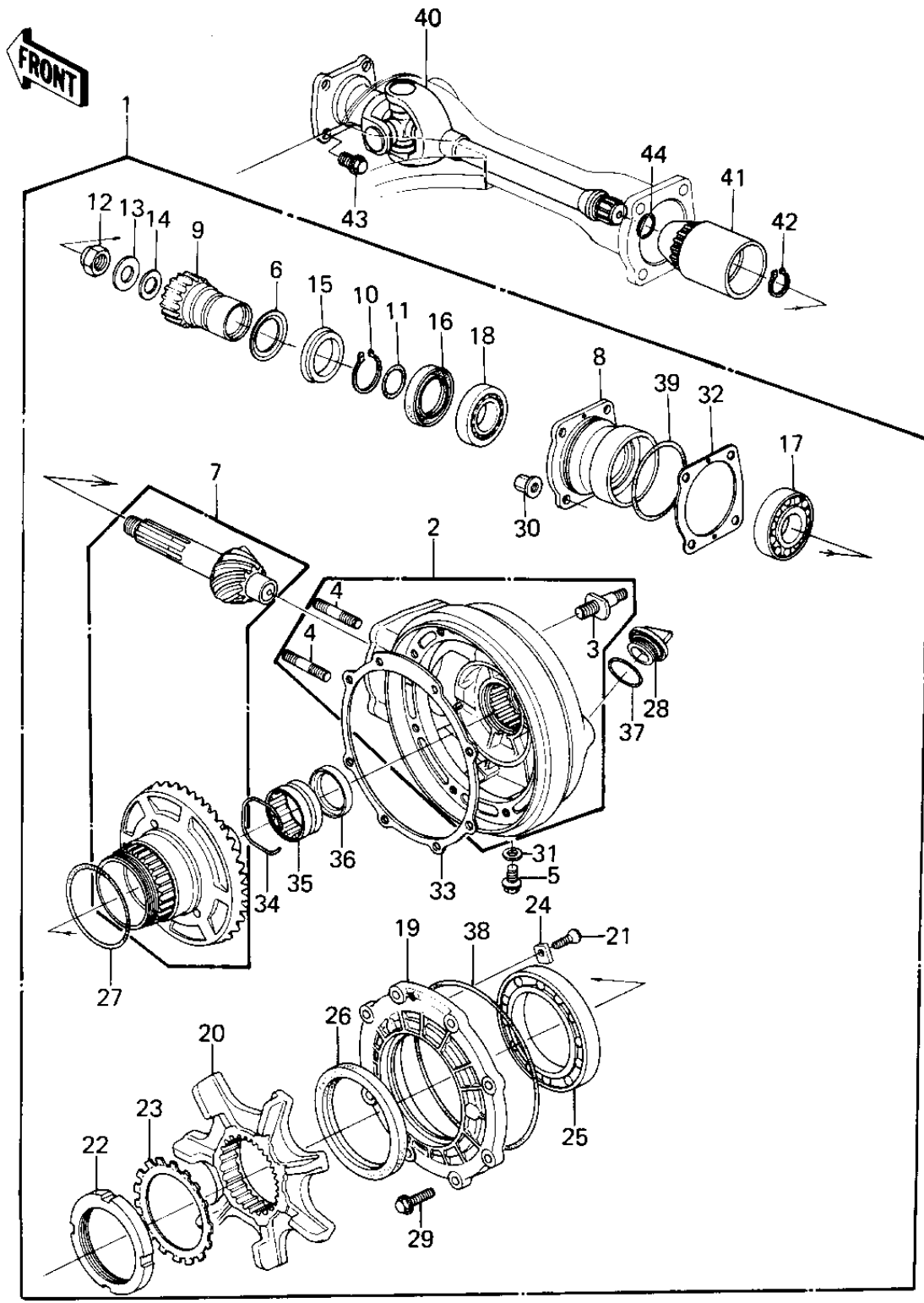


# 1981 KZ1300-A3 PARTS DIAGRAM

DRIVE SHAFT/FINAL GEARS



# 1981 KZ1300-A3 PARTS LIST

## DRIVE SHAFT/FINAL GEARS

ITEM NAME	PART NUMBER	QUANTITY
GEAR ASSY,FINAL (Ref # 1)	13101-1007	1
CASE ASSY,FINAL GEAR (Ref # 2)	11021-1009	1
STUD (Ref # 3)	92004-1020	1
STUD,10X31.5 (Ref # 4)	92004-1021	4
BOLT,FLANGE (Ref # 5)	130B0812	1
PLATE,OIL SEAL GUIDE (Ref # 6)	13169-1129	1
GEAR SET,FINAL BEVEL (Ref # 7)	13101-5026	1
HOUSING,BEARING,FINAL (Ref # 8)	41046-1008	1
COUPLING PINION SHAFT (Ref # 9)	42034-1008	1
CIRCLIP,36M/M (Ref # 10)	480J3600	1
"0" RING,25MM (Ref # 11)	671B2525	1
NUT,16M/M (Ref # 12)	92015-1059	1
WASHER (Ref # 13)	92022-1105	1
SHIM (Ref # 14)	92025-1027	AR
SHIM (Ref # 14)	92025-1028	AR
SHIM (Ref # 14)	92025-1030	AR
SHIM (Ref # 14)	92025-1031	AR
SHIM (Ref # 14)	92025-1032	AR
SHIM (Ref # 14)	92025-1033	AR
SHIM (Ref # 14)	92025-1034	AR
SHIM (Ref # 14)	92025-1034	AR
SHIM (Ref # 14)	92025-1036	AR
OIL SEAL,OS-50369HS (Ref # 15)	92049-1023	1
OIL SEAL,SC35558 (Ref # 16)	92049-1024	1
BEARING,R,4T30305C (Ref # 17)	92116-1002	1
BEARING (Ref # 18)	92116-1003	1
COVER,FINAL GEAR CASE (Ref # 19)	14025-1066	1
COUPLING,REAR HUB (Ref # 20)	42034-1007	1
SCREW,COUNTERSNK,6X16 (Ref # 21)	92009-1041	3

# 1981 KZ1300-A3 PARTS LIST

## DRIVE SHAFT/FINAL GEARS

ITEM NAME	PART NUMBER	QUANTITY
NUT,75M/M,RING GEAR (Ref # 22)	92015-1060	1
WASHER,75M/M,RING GER (Ref # 23)	92022-1106	1
WASHER,BEARING STOPPR (Ref # 24)	92022-1112	3
BEARING,BALL,16016 (Ref # 25)	92045-1020	1
OIL SEAL,S-901159HS (Ref # 26)	92049-1026	1
"O" RING,75MM (Ref # 27)	92055-1031	1
CAP (Ref # 28)	16115-1003	1
BOLT,8X28 (Ref # 29)	92001-1095	8
NUT,10MM (Ref # 30)	92015-1415	4
WASHER (Ref # 31)	92022-1086	1
SHIM,73X0.6 (Ref # 32)	92025-1037	AR
SHIM,73X0.9 (Ref # 32)	92025-1038	AR
SHIM,73X1.2 (Ref # 32)	92025-1039	AR
SHIM,73X0.1 (Ref # 32)	92025-1040	AR
SHIM,73X0.15 (Ref # 32)	92025-1041	AR
SHIM,73X0.2 (Ref # 32)	92025-1042	AR
SHIM,73X0.3 (Ref # 32)	92025-1043	AR
SHIM,168X0.6 (Ref # 33)	92025-1045	AR
SHIM,168X0.9 (Ref # 33)	92025-1046	AR
SHIM,168X1.2 (Ref # 33)	92025-1047	AR
SHIM,168X0.1 (Ref # 33)	92025-1048	AR
SHIM,168X0.15 (Ref # 33)	92025-1049	AR
SHIM,168X0.3 (Ref # 33)	92025-1051	AR
RING,SNAP (Ref # 34)	92033-1020	1
BEARING (Ref # 35)	92046-1020	1
OIL SEAL (Ref # 36)	92049-1025	1
"O" RING,31MM (Ref # 37)	92055-049	1
"O" RING,159MM (Ref # 38)	92055-1030	1
"O" RING,67MM (Ref # 39)	92055-1032	1

# 1981 KZ1300-A3 PARTS LIST

## DRIVE SHAFT/FINAL GEARS

ITEM NAME	PART NUMBER	QUANTITY
SHAFT ASSY,PROPELLER (Ref # 40)	39158-1001	1
COUPLING,PROP SHAFT (Ref # 41)	42034-1009	1
CIRCLIP, 20MM (Ref # 42)	480J2000	1
BOLT,12X15,COUPLING (Ref # 43)	92001-1139	4
"O" RING,20.5MM (Ref # 44)	92055-1029	1