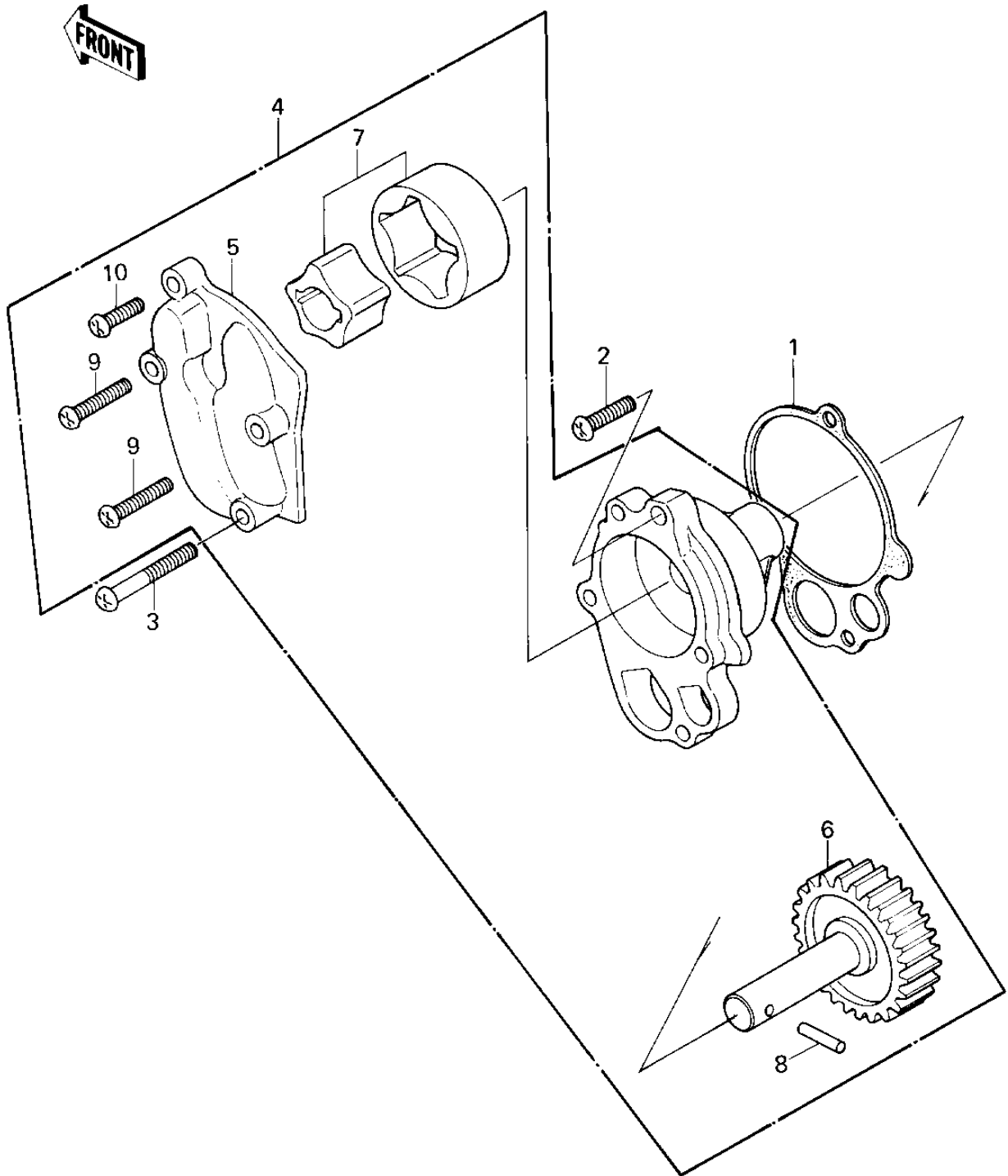


1980 KZ1300-A2 PARTS DIAGRAM

OIL PUMP



1980 KZ1300-A2 PARTS LIST

OIL PUMP

ITEM NAME	PART NUMBER	QUANTITY
GASKET,OIL PUMP (Ref # 1)	11009-1088	3
SCREW PAN HEAD 6X25 (Ref # 2)	220B0625	3
SCREW PAN HEAD 6X40 (Ref # 3)	220B0640	3
PUMP,OIL (Ref # 4)	49042-1001	3
COVER,OIL PUMP (Ref # 5)	16142-1005	3
GEAR ASSY,OIL PUMP (Ref # 6)	13216-1018	3
ROTOR ASSY,OIL PUMP (Ref # 7)	16154-1007	3
PIN,DOWEL 5X17.8 (Ref # 8)	92043-1061	3
SCREW PAN HEAD 6X28 (Ref # 9)	220B0628	3
SCREW PAN HEAD 6X18 (Ref # 10)	220B0618	3