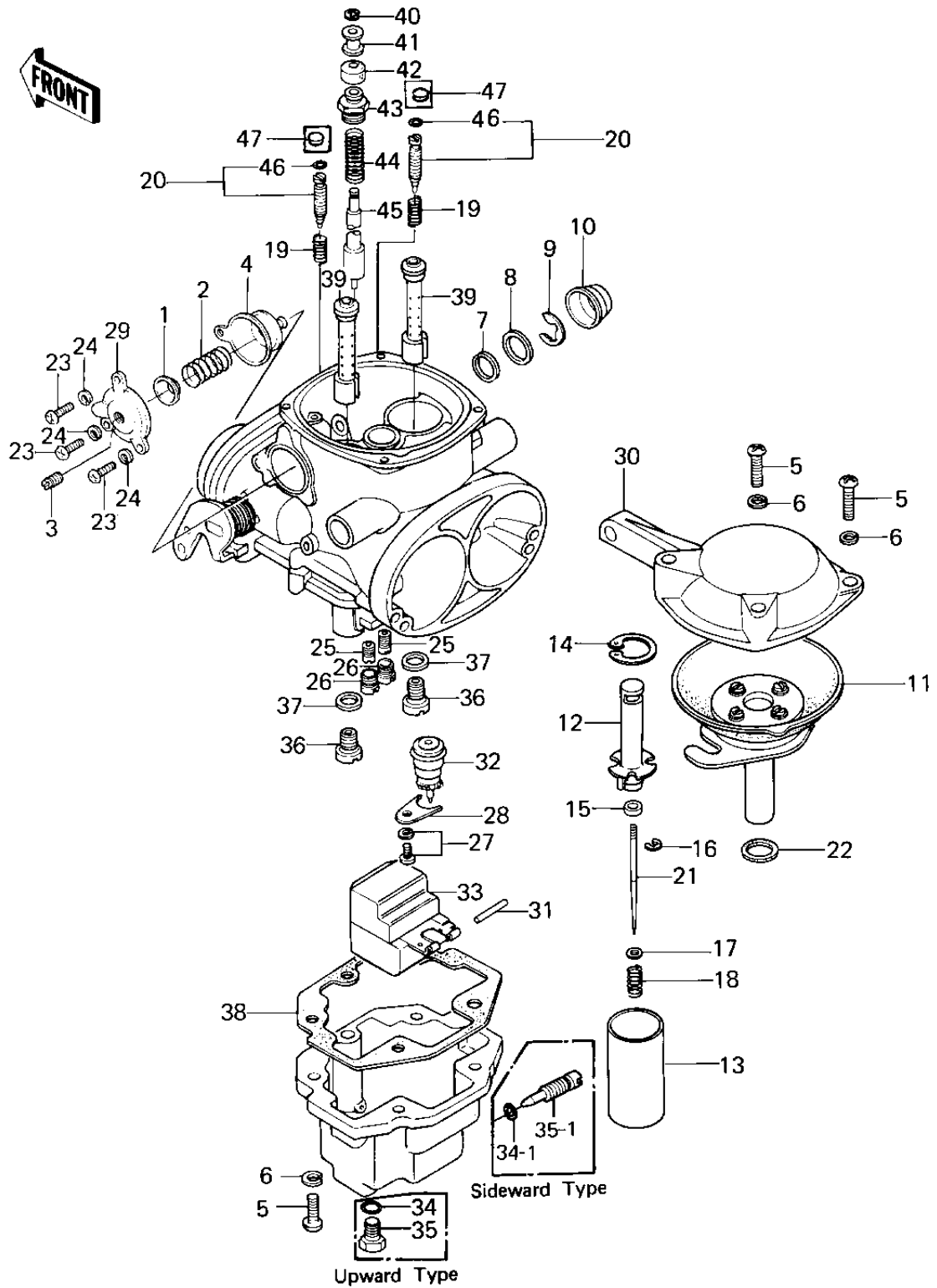


1979 KZ1300-A1 PARTS DIAGRAM

CARBURETOR PARTS



1979 KZ1300-A1 PARTS LIST

CARBURETOR PARTS

ITEM NAME	PART NUMBER	QUANTITY
RETAINER,DPHRGM SPRNG (Ref # 1)	43027-1004	3
SPRING,RICHER DPHRGM (Ref # 2)	92081-1156	3
SCREW,SLOTTED (Ref # 3)	45007-1001	3
DIAPHRAGM,RICHER (Ref # 4)	43028-1017	3
DIAPHRAGM,RICHER (Ref # 4)	43028-1017	3
SCREW, PAN HEAD, 5 X 16 (Ref # 5)	220B0516A	14
WASHER SPRING 5MM (Ref # 6)	461F0500	14
OIL SEAL (Ref # 7)	92093-1027	3
WASHER,PLAIN (Ref # 8)	92022-1150	3
CIRCLIP (Ref # 9)	92037-1140	3
CAP,STEEL (Ref # 10)	39031-1002	2
DIAPHRAGM ASSY,VACUUM (Ref # 11)	43028-1014	3
HOLDER,PISTON VALVE (Ref # 12)	13091-1056	6
VALVE,PISTON (Ref # 13)	16025-1029	6
CIRCLIP (Ref # 14)	92033-1009	6
RING,JET NEEDLE (Ref # 15)	92027-1115	6
CIRCLIP (Ref # 16)	16008-014	6
WASHER,JET NEEDLE (Ref # 17)	92022-1123	6
SPRING,JET NEEDLE (Ref # 18)	92081-1126	6
SPRING,PILOT SCREW (Ref # 19)	16022-016	6
SCREW,PILOT ADJUSTING (Ref # 20)	16014-1016	6
JET NEEDLE,5P2 (Ref # 21)	16009-1035	6
JET NEEDLE,5P4 (Ref # 21)	16009-1050	6
WASHER,PLAIN,DURACON (Ref # 22)	92022-1155	3
SCREW PAN HEAD 4X10 (Ref # 23)	220B0410	9
WASHER SPRING 4MM (Ref # 24)	461F0400	9
PILOT JET,#42.5 (Ref # 25)	92064-1024	6
SCREW,HOLE PLUG (Ref # 26)	92066-1044	6
SCREW-CLAMP (Ref # 27)	16033-014	3

1979 KZ1300-A1 PARTS LIST

CARBURETOR PARTS

ITEM NAME	PART NUMBER	QUANTITY
PLATE, LOCK (Ref # 28)	13169-1190	3
COVER,COASTING RICHER (Ref # 29)	14025-1158	3
TOP,MXNG CHAMBER,L.H. (Ref # 30)	14025-1159	1
TOP,MXNG CHAMBER,CENT (Ref # 30)	14025-1160	1
TOP,MXNG CHAMBER,R.H. (Ref # 30)	14025-1161	1
FLOAT PIN (Ref # 31)	16032-003	3
FLOAT VALVE ASSY (Ref # 32)	16030-1005	3
FLOAT (Ref # 33)	16031-1006	3
"O" RING,MAIN JET COV (Ref # 34)	16038-016	3
"O" RING (Ref # 34-1)	92055-044	3
BOLT,HEX HEAD,DRAIN (Ref # 35)	92066-1045	3
SCREW,DRAIN (Ref # 35-1)	92066-1064	3
MAIN JET,#110R (Ref # 36)	92063-1038	6
MAIN JET,#A105R (Ref # 36)	92063-1042	6
JET-MAIN NO 107.5R (Ref # 36)	92063-073	6
JET-MAIN NO 115R (Ref # 36)	92063-076	6
WASHER MAIN JET (Ref # 37)	16034-001	6
GASKET,FLOAT CHAMBER (Ref # 38)	11009-1148	3
NEEDLE JET,Y-8 (Ref # 39)	16017-1038	6
CIRCLIP (Ref # 40)	16076-003	3
COLLAR (Ref # 41)	16073-014	3
RUBBER CAP,STARTER PL (Ref # 42)	16036-017	3
CAP,STARTER PLUNGER (Ref # 43)	16012-1005	3
SPRING,STARTER PLUNGR (Ref # 44)	92081-1163	3
PLUNGER,STARTER (Ref # 45)	16016-1005	3
"O" RING (Ref # 46)	16038-022	6
PLUG,PILOT SCREW (Ref # 47)	92066-1051	6