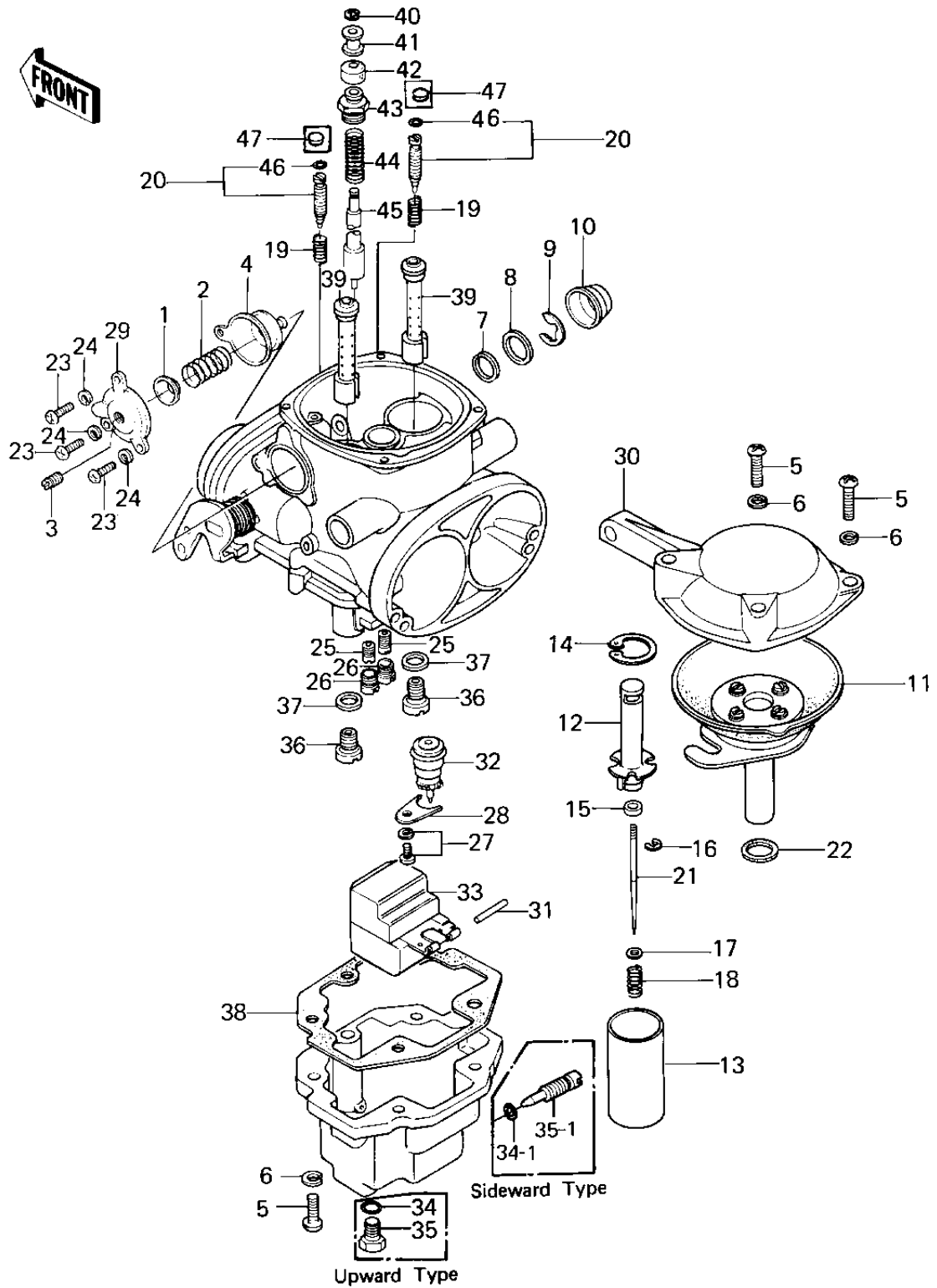


# 1981 KZ1300-A3 PARTS DIAGRAM

## CARBURETOR PARTS



# 1981 KZ1300-A3 PARTS LIST

## CARBURETOR PARTS

| ITEM NAME                         | PART NUMBER | QUANTITY |
|-----------------------------------|-------------|----------|
| RETAINER,DPHRGM SPRNG (Ref # 1)   | 43027-1004  | 3        |
| SPRING,RICHER DPHRGM (Ref # 2)    | 92081-1156  | 3        |
| SCREW,SLOTTED (Ref # 3)           | 45007-1001  | 3        |
| DIAPHRAGM,RICHER (Ref # 4)        | 43028-1017  | 3        |
| DIAPHRAGM,RICHER (Ref # 4)        | 43028-1017  | 3        |
| SCREW, PAN HEAD, 5 X 16 (Ref # 5) | 220B0516A   | 14       |
| WASHER SPRING 5MM (Ref # 6)       | 461F0500    | 14       |
| OIL SEAL (Ref # 7)                | 92093-1027  | 3        |
| WASHER,PLAIN (Ref # 8)            | 92022-1150  | 3        |
| CIRCLIP (Ref # 9)                 | 92037-1140  | 3        |
| CAP,STEEL (Ref # 10)              | 39031-1002  | 2        |
| DIAPHRAGM ASSY,VACUUM (Ref # 11)  | 43028-1014  | 3        |
| HOLDER,PISTON VALVE (Ref # 12)    | 13091-1056  | 6        |
| VALVE,PISTON (Ref # 13)           | 16025-1029  | 6        |
| CIRCLIP (Ref # 14)                | 92033-1009  | 6        |
| RING,JET NEEDLE (Ref # 15)        | 92027-1115  | 6        |
| CIRCLIP (Ref # 16)                | 16008-014   | 6        |
| WASHER,JET NEEDLE (Ref # 17)      | 92022-1123  | 6        |
| SPRING,JET NEEDLE (Ref # 18)      | 92081-1126  | 6        |
| SPRING,PILOT SCREW (Ref # 19)     | 16022-016   | 6        |
| SCREW,PILOT ADJUSTING (Ref # 20)  | 16014-1016  | 6        |
| JET NEEDLE,5P2 (Ref # 21)         | 16009-1035  | 6        |
| JET NEEDLE,5P4 (Ref # 21)         | 16009-1050  | 6        |
| WASHER,PLAIN,DURACON (Ref # 22)   | 92022-1155  | 3        |
| SCREW PAN HEAD 4X10 (Ref # 23)    | 220B0410    | 9        |
| WASHER SPRING 4MM (Ref # 24)      | 461F0400    | 9        |
| PILOT JET,#42.5 (Ref # 25)        | 92064-1024  | 6        |
| SCREW,HOLE PLUG (Ref # 26)        | 92066-1044  | 6        |
| SCREW-CLAMP (Ref # 27)            | 16033-014   | 3        |

# 1981 KZ1300-A3 PARTS LIST

## CARBURETOR PARTS

| ITEM NAME                        | PART NUMBER | QUANTITY |
|----------------------------------|-------------|----------|
| PLATE, LOCK (Ref # 28)           | 13169-1190  | 3        |
| COVER,COASTING RICHER (Ref # 29) | 14025-1158  | 3        |
| TOP,MXNG CHAMBER,L.H. (Ref # 30) | 14025-1159  | 1        |
| TOP,MXNG CHAMBER,CENT (Ref # 30) | 14025-1160  | 1        |
| TOP,MXNG CHAMBER,R.H. (Ref # 30) | 14025-1161  | 1        |
| FLOAT PIN (Ref # 31)             | 16032-003   | 3        |
| FLOAT VALVE ASSY (Ref # 32)      | 16030-1005  | 3        |
| FLOAT (Ref # 33)                 | 16031-1006  | 3        |
| "O" RING,MAIN JET COV (Ref # 34) | 16038-016   | 3        |
| "O" RING (Ref # 34-1)            | 92055-044   | 3        |
| BOLT,HEX HEAD,DRAIN (Ref # 35)   | 92066-1045  | 3        |
| SCREW,DRAIN (Ref # 35-1)         | 92066-1064  | 3        |
| MAIN JET,#110R (Ref # 36)        | 92063-1038  | 6        |
| MAIN JET,#A105R (Ref # 36)       | 92063-1042  | 6        |
| JET-MAIN NO 107.5R (Ref # 36)    | 92063-073   | 6        |
| JET-MAIN NO 115R (Ref # 36)      | 92063-076   | 6        |
| WASHER MAIN JET (Ref # 37)       | 16034-001   | 6        |
| GASKET,FLOAT CHAMBER (Ref # 38)  | 11009-1148  | 3        |
| NEEDLE JET,Y-8 (Ref # 39)        | 16017-1038  | 6        |
| CIRCLIP (Ref # 40)               | 16076-003   | 3        |
| COLLAR (Ref # 41)                | 16073-014   | 3        |
| RUBBER CAP,STARTER PL (Ref # 42) | 16036-017   | 3        |
| CAP,STARTER PLUNGER (Ref # 43)   | 16012-1005  | 3        |
| SPRING,STARTER PLUNGR (Ref # 44) | 92081-1163  | 3        |
| PLUNGER,STARTER (Ref # 45)       | 16016-1005  | 3        |
| "O" RING (Ref # 46)              | 16038-022   | 6        |
| PLUG,PILOT SCREW (Ref # 47)      | 92066-1051  | 6        |