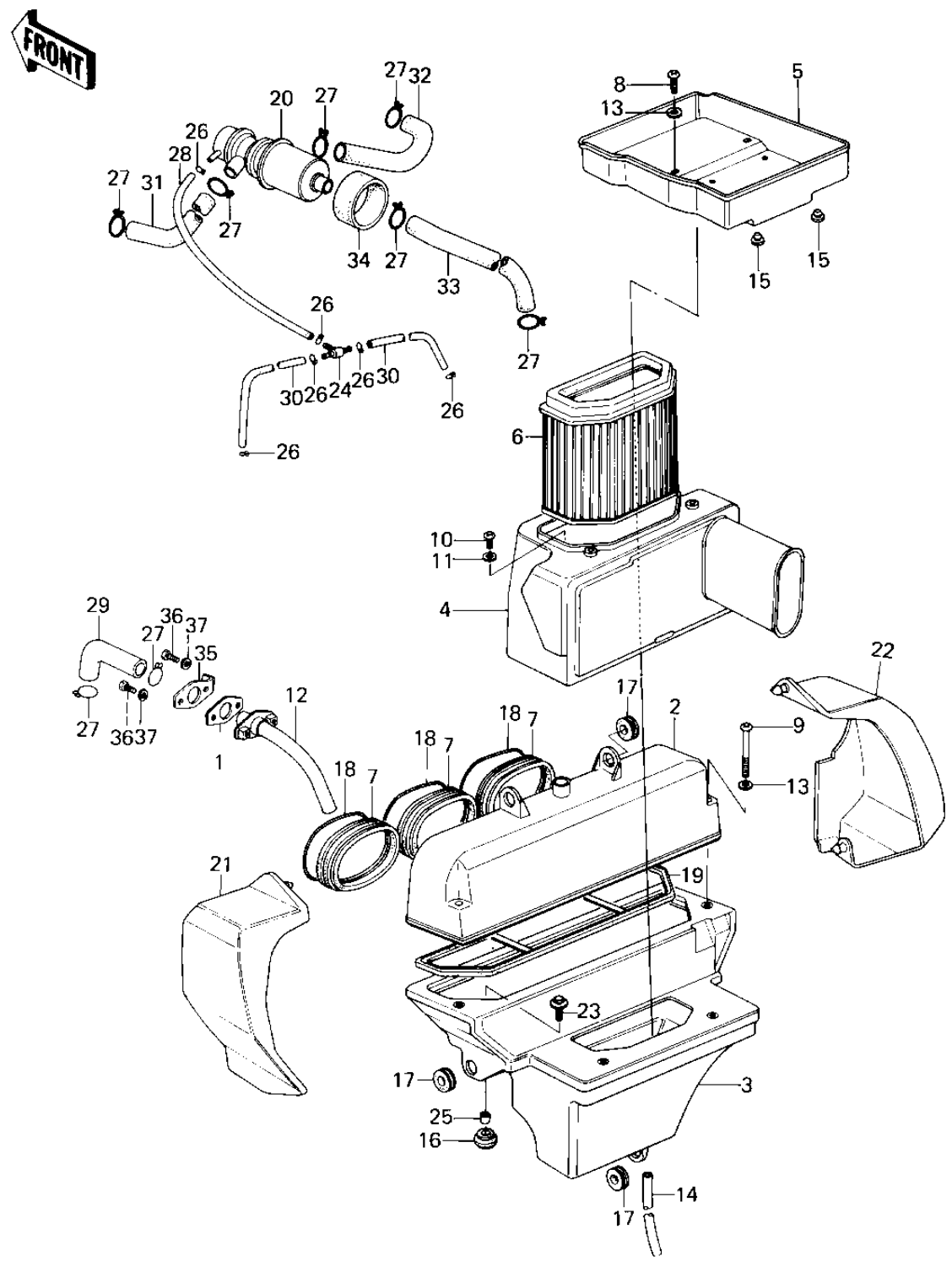


# 1979 KZ1300-A1 PARTS DIAGRAM

## AIR CLEANER



# 1979 KZ1300-A1 PARTS LIST

## AIR CLEANER

ITEM NAME	PART NUMBER	QUANTITY
GASKET,BREATHER PIPE (Ref # 1)	11009-1097	1
CASE,AIR CLEANER,FRNT (Ref # 2)	11011-1021	1
CASE,AIR CLEANER LOWR (Ref # 3)	11011-1022	1
CASE,AIR CLEANER,REAR (Ref # 4)	11011-1023	1
CAP,AIR CLEANER (Ref # 5)	11012-1062	1
ELEMENT,AIR CLNR (Ref # 6)	11013-1014	1
DUCT,AIR CLEANER (Ref # 7)	14073-1015	3
SCREW PAN HEAD 6X20 (Ref # 8)	220B0620	2
SCREW PAN HEAD 6X55 (Ref # 9)	220B0655	2
SCREW PAN HEAD 6X12 (Ref # 10)	220B0612	2
WASHER PLAIN 6MM (Ref # 11)	410B0600	2
PIPE,BREATHER (Ref # 12)	32032-1199	1
WASHER PLAIN 6MM (Ref # 13)	411B0600	4
TUBE, CLEANER DRAIN, ACTUAL L = 150 (Ref # 14)	700Q06200	1
TUBE-RUBBER,6X110 (Ref # 14)	702A06110	1
PLUG,RUBBER (Ref # 15)	92074-028	2
DAMPER,AIR CLEANER (Ref # 16)	92075-1124	2
DAMPER,CLEANER COVER (Ref # 17)	92075-1126	3
SPRING,CLEANER DUCT (Ref # 18)	92081-1150	3
SEAL,CLEANER LWR CASE (Ref # 19)	92093-1025	1
VALVE ASSY,AIR SWITNG (Ref # 20)	16126-1015	1
COVER-SIDE-SUB,AIR CL (Ref # 21)	36002-5499	1
COVER-SIDE AR FLTR,LH (Ref # 21)	36001-1121	1
COVER-SIDE-SUB,AIR CL (Ref # 22)	36002-5499	1
COVER SIDE AR FLTR RH (Ref # 22)	36001-1122	1
BOLT,6X25,W/WASHER (Ref # 23)	92001-1140	2
FITTING,TUBE (Ref # 24)	92005-1017	1
COLLAR 6.8X10X10.5 (Ref # 25)	92027-120	2
CLAMP-PIPE (Ref # 26)	92037-072	6

# 1979 KZ1300-A1 PARTS LIST

## AIR CLEANER

ITEM NAME	PART NUMBER	QUANTITY
CLAMP,BREATHER TUBE (Ref # 27)	92037-213	8
TUBE,VACUUM,LONG (Ref # 28)	92059-1162	1
TUBE,BREATHER PIPE (Ref # 29)	92059-1053	1
TUBE,4X5X100,VACUUM (Ref # 30)	92059-1058	2
TUBE,SWITCH VALVE,L.H (Ref # 31)	92059-1076	1
TUBE,SWITCH VALVE,R.H (Ref # 32)	92059-1077	1
TUBE,SWITH VALVE,CLNR (Ref # 33)	92059-1078	1
DAMPER,AIR SWITCHNG,V (Ref # 34)	92075-1195	1
BRACKET,FUEL VALVE (Ref # 35)	11034-1561	1
BOLT-UPSET,6X16 (Ref # 36)	112G0616	2
WASHER SPRING 6MM (Ref # 37)	461F0600	2