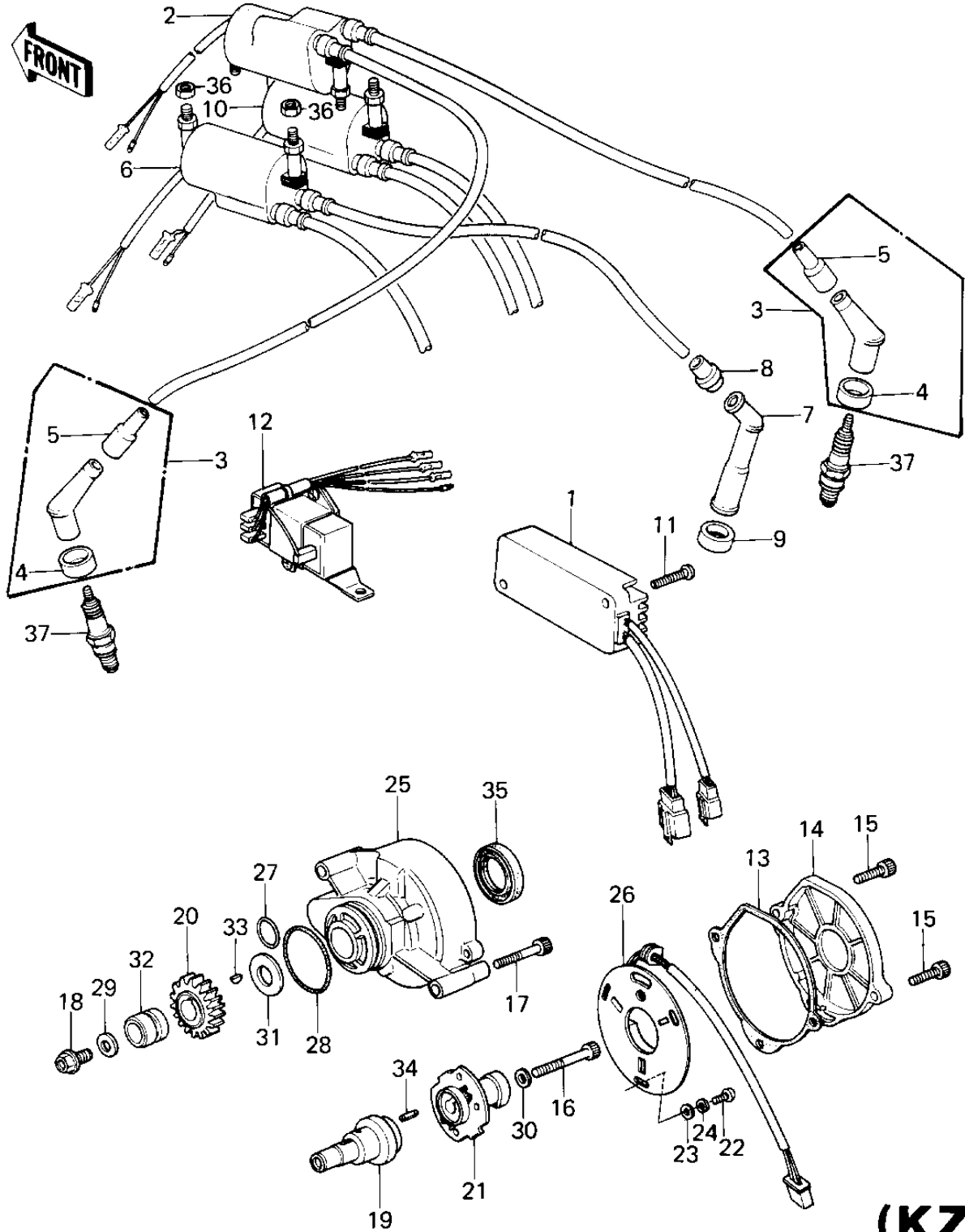


1981 KZ1300-A3 PARTS DIAGRAM

IGNITION (KZ1300-A1/A2)



(KZ

1981 KZ1300-A3 PARTS LIST

IGNITION (KZ1300-A1/A2)

ITEM NAME	PART NUMBER	QUANTITY
IGNITER (Ref # 1)	21119-1005	1
COIL,IGNITION,#1.6 (Ref # 2)	21121-1017	1
CAP SPARK PLUG (Ref # 3)	21160-1014	2
GROMMET-PLUG CAP,A (Ref # 4)	21131-004	2
GROMMET,SPARK PLG CAP (Ref # 5)	21132-005	2
COIL,IGNITION,#2.5 (Ref # 6)	21121-1018	1
CAP-SPARK PLUG (Ref # 7)	21130-1010	4
GROMMET,HIGH TENSION (Ref # 8)	21131-005	4
GROMMET,PLUG CAP (Ref # 9)	21131-006	4
COIL,IGNITION,#3.4 (Ref # 10)	21121-1019	1
SCREW PAN HEAD 6X25 (Ref # 11)	220B0625	2
RESISTOR,IGNITIN,COIL (Ref # 12)	28018-1014	1
GASKET,PULSING C.CAP (Ref # 13)	11009-1086	1
CAP,PULSING COIL (Ref # 14)	11012-1051	1
BOLT,6X20 (Ref # 15)	120P0620	2
BOLT,8X50 (Ref # 16)	120P0850	1
BOLT,SOCKET,6X40 (Ref # 17)	120P0640	2
BOLT,FLANGED,8X14 (Ref # 18)	130G0814	1
SHAFT,TIMING ADVANCER (Ref # 19)	13107-1010	1
GEAR,TIMING ADVANCER (Ref # 20)	16085-1009	1
ADVANCER,TIMING (Ref # 21)	21148-1008	1
SCREW PAN HEAD 5X12 (Ref # 22)	220B0512	3
WASHER PLAIN 5MM (Ref # 23)	410B0500	3
WASHER SPRING 5MM (Ref # 24)	461F0500	3
CASE,TIMING ADVANCER (Ref # 25)	32099-1007	1
COIL,PULSING (Ref # 26)	59026-1006	1
COIL,PULSING (Ref # 26)	59026-1006	1
"O" RING,22MM (Ref # 27)	670B2022	1
"O" RING,45M/M (Ref # 28)	670B3045	1

1981 KZ1300-A3 PARTS LIST

IGNITION (KZ1300-A1/A2)

ITEM NAME	PART NUMBER	QUANTITY
WASHER,PLAIN (Ref # 29)	92022-064	1
WASHER,8.5X20X1.6 (Ref # 30)	92022-1561	1
SPACER,14.3X30X1.0 (Ref # 31)	92026-1029	1
COLLAR,14X20X20 (Ref # 32)	92027-1140	1
WOODRUFF KEY IDLE GR (Ref # 33)	92038-010	1
PIN-SPRING,4X8 (Ref # 34)	555A0408	1
OIL SEAL,SC32435.5 (Ref # 35)	92049-1027	1
NUT,LOCK 6MM (Ref # 36)	92017-014	6
SPARK PLUG B8ES (Ref # 37)	B8ES	6
SPARK PLUG BP6ES (Ref # 37)	BP6ES	6
SPARK PLUG BP7ES (Ref # 37)	BP7ES	6