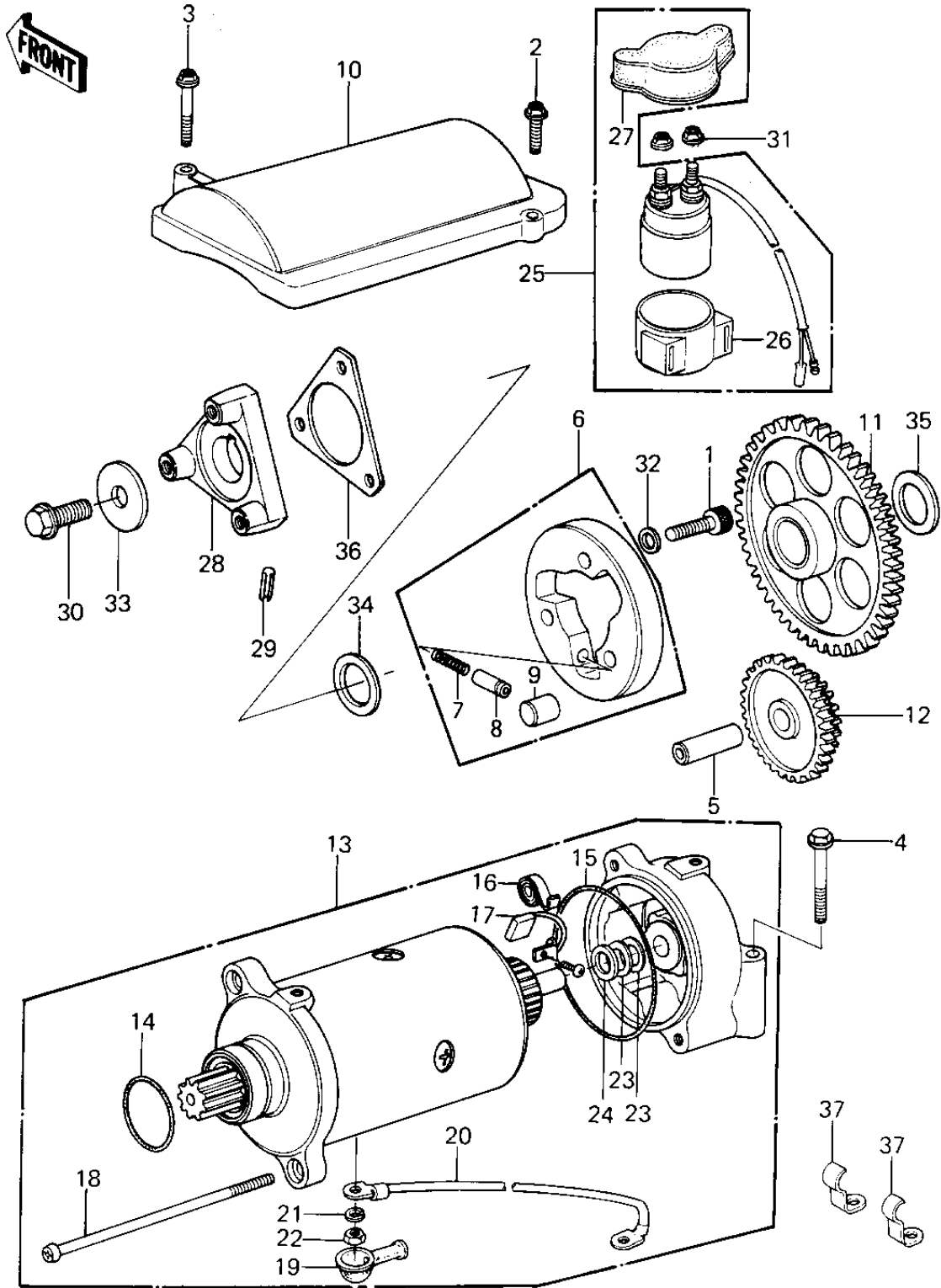


1980 KZ1300-A2 PARTS DIAGRAM

STARTER MOTOR/STARTER CLUTCH (KZ1300-A3)



1980 KZ1300-A2 PARTS LIST

STARTER MOTOR/STARTER CLUTCH (KZ1300-A3)

ITEM NAME	PART NUMBER	QUANTITY
BOLT,SOCKET,8X25 (Ref # 1)	120P0825	1
BOLT,FLANGED,6X25 (Ref # 2)	130B0625	1
BOLT,FLANGED,6X40 (Ref # 3)	130B0640	1
BOLT,FLANGED,6X55 (Ref # 4)	130G0655	1
PIN-PISTON (Ref # 5)	13002-019	1
CLUTCH-ASSY-ONEWAY (Ref # 6)	13193-1012	1
PIN (Ref # 7)	92043-087	1
SPRING (Ref # 8)	92081-110	1
ROLLER (Ref # 9)	92122-004	1
COVER,STARTER MOTOR (Ref # 10)	14025-1752	1
GEAR,STARTER CLUTCH (Ref # 11)	16085-1010	1
GEAR,STARTER REDUCTON (Ref # 12)	16085-1011	1
STARTER-ELECTRIC (Ref # 13)	21163-1014	1
"0" RING,STARTING MTR (Ref # 14)	21027-004	1
"0" RING,STARTING MTR (Ref # 15)	21027-003	1
SPRING,CARBON BRUSH (Ref # 16)	21040-003	1
CARBON BRUSH (Ref # 17)	21039-003	1
SCREW,PAN HEAD,6X110 (Ref # 18)	21015-005	1
GROMMET,CORD (Ref # 19)	21017-017	1
WIRE-LEAD,STRTR MOTOR (Ref # 20)	26011-1094	1
WASHER SPRING 6MM (Ref # 21)	461F0600	1
NUT 6MM (Ref # 22)	312B0600	1
WASHER,THRUST,0.2T (Ref # 23)	21025-011	1
WASHER,THRUST,1.6T (Ref # 24)	21025-010	1
SWITCH,MAGNETIC (Ref # 25)	27010-1025	1
DAMPER MAG SWITCH SHK (Ref # 26)	21064-002	1
COVER,MAGNETIC SWITCH (Ref # 27)	14025-1165	1
HUB,TORSION DAMPER (Ref # 28)	49030-1006	1
PIN-SPRING,4X6 (Ref # 29)	555A0406	1

1980 KZ1300-A2 PARTS LIST

STARTER MOTOR/STARTER CLUTCH (KZ1300-A3)

ITEM NAME	PART NUMBER	QUANTITY
BOLT,FLANGED,12X25 (Ref # 30)	92001-1425	1
NUT-6MM (Ref # 31)	92015-1078	1
WASHER,PLAIN (Ref # 32)	92022-1108	1
WASHER,PLAIN (Ref # 33)	92022-1263	1
SHIM,25.3X36X0.3 (Ref # 34)	92025-1019	1
SPACER,25X34X2.3 (Ref # 35)	92026-1059	1
SPACER,TORSION DAMPER (Ref # 36)	92026-1090	1
CLAMP,LEAD WIRE (Ref # 37)	92037-1345	1