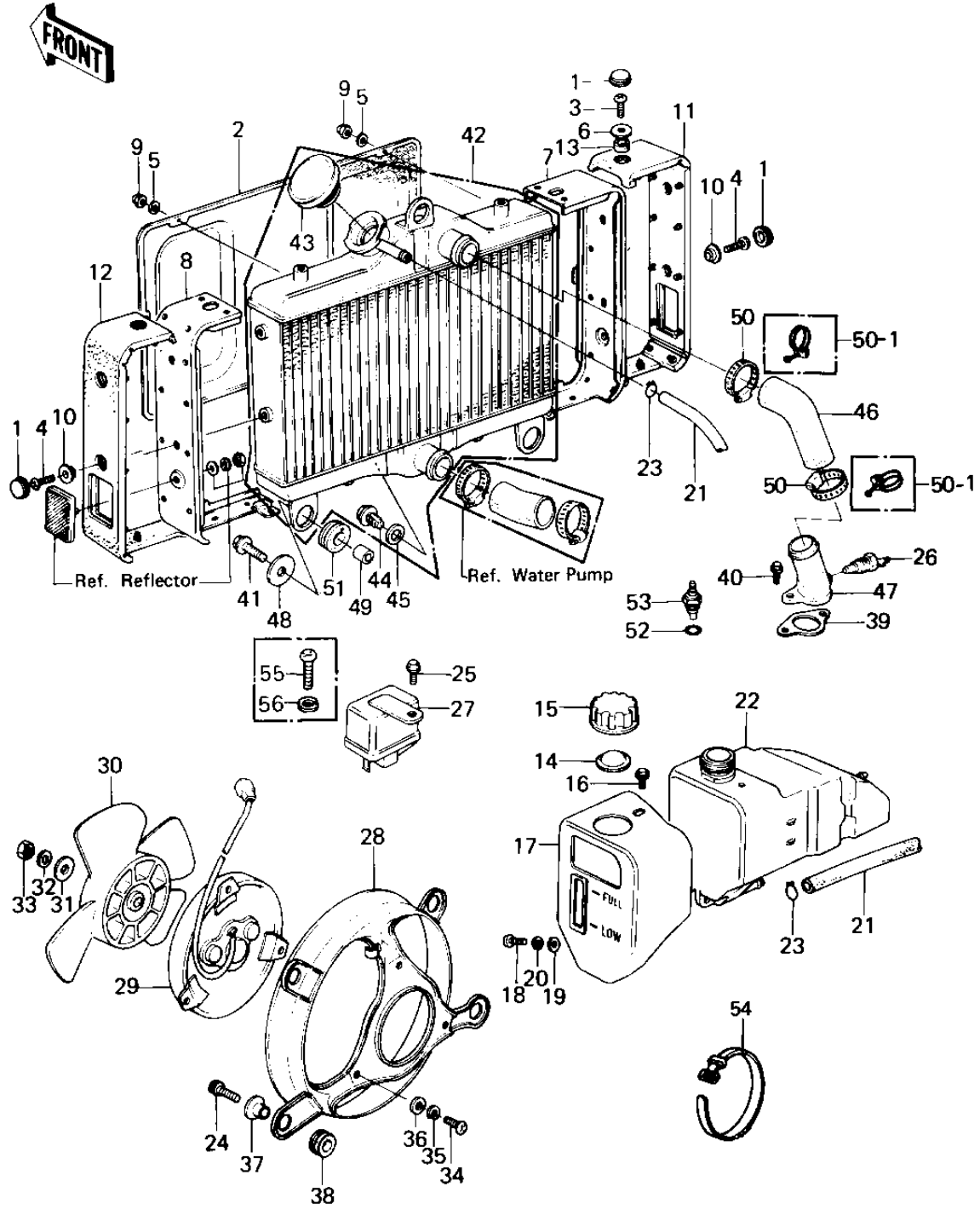


1979 KZ1300-A1 PARTS DIAGRAM

RADIATOR/FAN/COOLANT TANK



1979 KZ1300-A1 PARTS LIST

RADIATOR/FAN/COOLANT TANK

ITEM NAME	PART NUMBER	QUANTITY
CAP,RADIATOR GUARD (Ref # 1)	11012-1077	6
SCREEN,RADIATOR (Ref # 2)	14037-1001	1
SCREW PAN HEAD 6X10 (Ref # 3)	220B0610	2
SCREW PAN HEAD 6X16 (Ref # 4)	220B0616	6
WASHER PLAIN 6MM (Ref # 5)	410B0600	6
WASHER SHOCK DAMPER (Ref # 6)	42046-008	2
GUARD,RADIATOR,R.H (Ref # 7)	55020-1036	1
GUARD,RADIATOR,R.H (Ref # 7)	55020-1036	1
GUARD,RADIATOR,L.H (Ref # 8)	55020-1037	1
GUARD,RADIATOR,L.H (Ref # 8)	55020-1037	1
NUT-CAP,6MM,BLACK (Ref # 9)	322C0600	6
COLLAR,RADIATOR GUARD (Ref # 10)	92027-1189	6
DAMPER,RADIATOR,R.H (Ref # 11)	92075-1210	1
DAMPER,RADIATOR,R.H (Ref # 11)	92075-1210	1
DAMPER,RADIATOR,L.H (Ref # 12)	92075-1211	1
DAMPER,RADIATOR,L.H (Ref # 12)	92075-1211	1
BUSHING,RBR,14X22X8.5 (Ref # 13)	92092-1005	2
GASKET,RESERVE TANK (Ref # 14)	11009-1145	1
CAP,RESERVE TANK (Ref # 15)	11012-1084	1
BOLT,FLANGED,6X10 (Ref # 16)	130B0610	1
COVER,RESERVE TANK (Ref # 17)	14025-1152	1
SCREW PAN HEAD 6X16 (Ref # 18)	220B0616	1
WASHER PLAIN 6MM (Ref # 19)	411B0600	1
WASHER SPRING 6MM (Ref # 20)	461F0600	1
HOSE,COOLNG,7X12X1500 (Ref # 21)	39062-1003	1
TANK,RESERVE (Ref # 22)	43078-1007	1
CLAMP-HOSE (Ref # 23)	92037-1104	2
BOLT,6X20 (Ref # 24)	120P0620	4
BELT,FLANGED,6X12 (Ref # 25)	131B0612	1

1979 KZ1300-A1 PARTS LIST

RADIATOR/FAN/COOLANT TANK

ITEM NAME	PART NUMBER	QUANTITY
SWITCH,FAN (Ref # 26)	27010-1026	1
SWITCH,FAN (Ref # 26)	27010-1036	1
RELAY,FAN (Ref # 27)	27034-1002	1
SHROUD,FAN (Ref # 28)	14073-1014	1
MOTOR,FAN (Ref # 29)	21174-1001	1
FAN,COOLING (Ref # 30)	59041-1001	1
WASHER,FAN (Ref # 31)	92022-1089	1
WASHER LOCK 5MM (Ref # 32)	463H0500	1
NUT,5MM (Ref # 33)	311B0500	1
SCREW PAN HEAD 5X10 (Ref # 34)	220B0510	3
WASHER SPRING 5MM (Ref # 35)	461F0500	3
WASHER PLAIN 5MM (Ref # 36)	411B0500	3
COLLAR,FAN (Ref # 37)	92027-1188	4
DAMPER,FAN (Ref # 38)	92075-1167	4
GASKET,HOSE FITTING (Ref # 39)	11009-1100	1
BOLT,FLANGED,6X25 (Ref # 40)	130B0625	2
BOLT,FLANGED,8X25 (Ref # 41)	130B0825	3
RADIATOR-ASSY (Ref # 42)	39061-1053	1
CAP-ASSY-PRESSURE (Ref # 43)	49085-1051	1
BOLT,RADIATOR DRAIN (Ref # 44)	92002-1682	1
GASKET,DRAIN PLUG (Ref # 45)	11009-1152	1
HOSE,COOLING,RADIATOR (Ref # 46)	39062-1002	1
FITTING,UPPER HOSE (Ref # 47)	92005-1012	1
WASHER,PLAIN (Ref # 48)	92022-298	3
COLLAR,12.7X15.9X12.5 (Ref # 49)	92027-1141	3
CLAMP,HOSE (Ref # 50)	92037-1177	2
CLAMP,HOSE (Ref # 50-1)	92037-1177	2
DAMPER,RADIATOR (Ref # 51)	92075-1127	3
"O" RING,13.5MM (Ref # 52)	92055-073	1