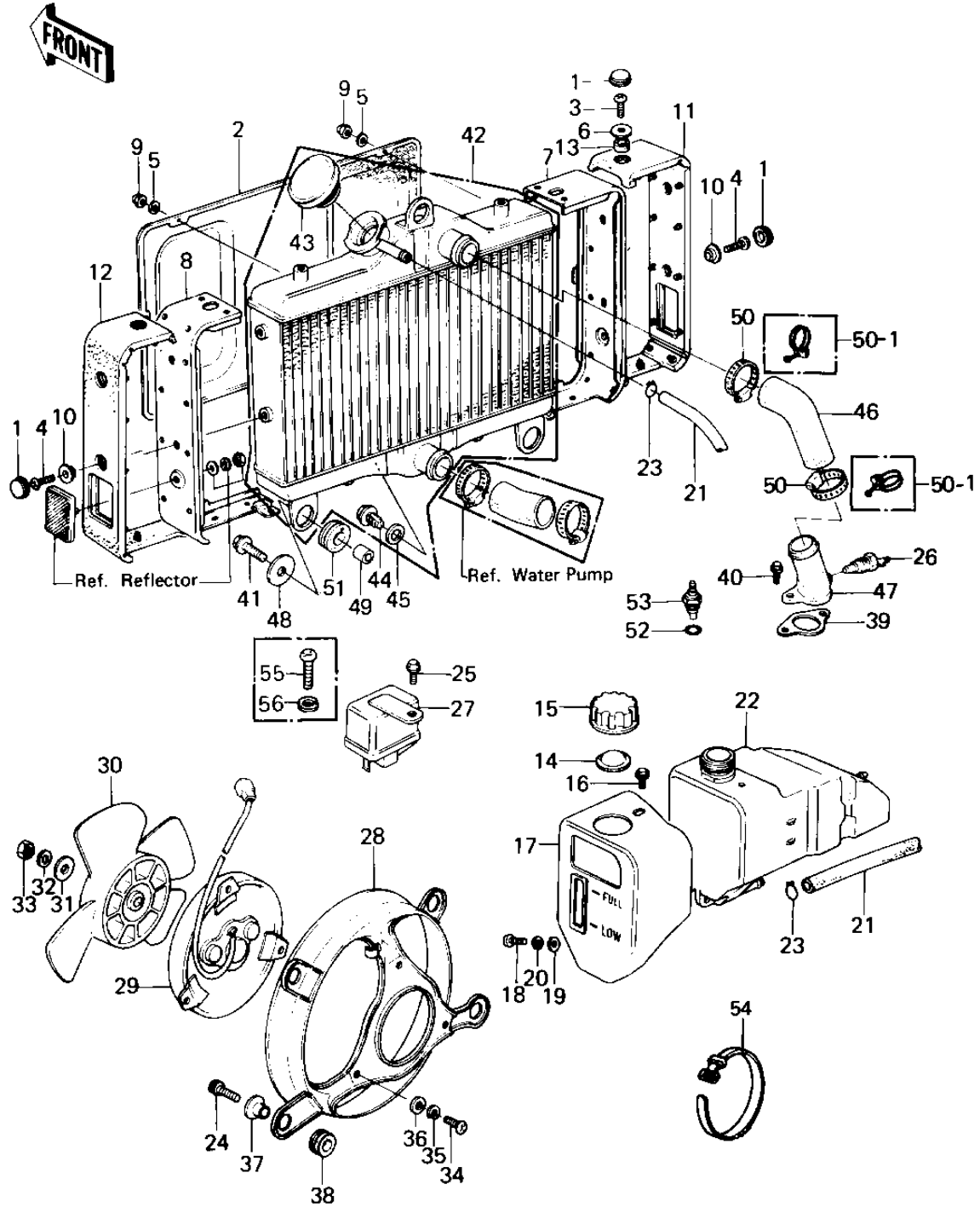


# 1981 KZ1300-A3 PARTS DIAGRAM

## RADIATOR/FAN/COOLANT TANK



# 1981 KZ1300-A3 PARTS LIST

## RADIATOR/FAN/COOLANT TANK

| ITEM NAME                        | PART NUMBER | QUANTITY |
|----------------------------------|-------------|----------|
| CAP,RADIATOR GUARD (Ref # 1)     | 11012-1077  | 6        |
| SCREEN,RADIATOR (Ref # 2)        | 14037-1001  | 1        |
| SCREW PAN HEAD 6X10 (Ref # 3)    | 220B0610    | 2        |
| SCREW PAN HEAD 6X16 (Ref # 4)    | 220B0616    | 6        |
| WASHER PLAIN 6MM (Ref # 5)       | 410B0600    | 6        |
| WASHER SHOCK DAMPER (Ref # 6)    | 42046-008   | 2        |
| GUARD,RADIATOR,R.H (Ref # 7)     | 55020-1036  | 1        |
| GUARD,RADIATOR,R.H (Ref # 7)     | 55020-1036  | 1        |
| GUARD,RADIATOR,L.H (Ref # 8)     | 55020-1037  | 1        |
| GUARD,RADIATOR,L.H (Ref # 8)     | 55020-1037  | 1        |
| NUT-CAP,6MM,BLACK (Ref # 9)      | 322C0600    | 6        |
| COLLAR,RADIATOR GUARD (Ref # 10) | 92027-1189  | 6        |
| DAMPER,RADIATOR,R.H (Ref # 11)   | 92075-1210  | 1        |
| DAMPER,RADIATOR,R.H (Ref # 11)   | 92075-1210  | 1        |
| DAMPER,RADIATOR,L.H (Ref # 12)   | 92075-1211  | 1        |
| DAMPER,RADIATOR,L.H (Ref # 12)   | 92075-1211  | 1        |
| BUSHING,RBR,14X22X8.5 (Ref # 13) | 92092-1005  | 2        |
| GASKET,RESERVE TANK (Ref # 14)   | 11009-1145  | 1        |
| CAP,RESERVE TANK (Ref # 15)      | 11012-1084  | 1        |
| BOLT,FLANGED,6X10 (Ref # 16)     | 130B0610    | 1        |
| COVER,RESERVE TANK (Ref # 17)    | 14025-1152  | 1        |
| SCREW PAN HEAD 6X16 (Ref # 18)   | 220B0616    | 1        |
| WASHER PLAIN 6MM (Ref # 19)      | 411B0600    | 1        |
| WASHER SPRING 6MM (Ref # 20)     | 461F0600    | 1        |
| HOSE,COOLNG,7X12X1500 (Ref # 21) | 39062-1003  | 1        |
| TANK,RESERVE (Ref # 22)          | 43078-1007  | 1        |
| CLAMP-HOSE (Ref # 23)            | 92037-1104  | 2        |
| BOLT,6X20 (Ref # 24)             | 120P0620    | 4        |
| BELT,FLANGED,6X12 (Ref # 25)     | 131B0612    | 1        |

# 1981 KZ1300-A3 PARTS LIST

## RADIATOR/FAN/COOLANT TANK

| ITEM NAME                        | PART NUMBER | QUANTITY |
|----------------------------------|-------------|----------|
| SWITCH,FAN (Ref # 26)            | 27010-1026  | 1        |
| SWITCH,FAN (Ref # 26)            | 27010-1036  | 1        |
| RELAY,FAN (Ref # 27)             | 27034-1002  | 1        |
| SHROUD,FAN (Ref # 28)            | 14073-1014  | 1        |
| MOTOR,FAN (Ref # 29)             | 21174-1001  | 1        |
| FAN,COOLING (Ref # 30)           | 59041-1001  | 1        |
| WASHER,FAN (Ref # 31)            | 92022-1089  | 1        |
| WASHER LOCK 5MM (Ref # 32)       | 463H0500    | 1        |
| NUT,5MM (Ref # 33)               | 311B0500    | 1        |
| SCREW PAN HEAD 5X10 (Ref # 34)   | 220B0510    | 3        |
| WASHER SPRING 5MM (Ref # 35)     | 461F0500    | 3        |
| WASHER PLAIN 5MM (Ref # 36)      | 411B0500    | 3        |
| COLLAR,FAN (Ref # 37)            | 92027-1188  | 4        |
| DAMPER,FAN (Ref # 38)            | 92075-1167  | 4        |
| GASKET,HOSE FITTING (Ref # 39)   | 11009-1100  | 1        |
| BOLT,FLANGED,6X25 (Ref # 40)     | 130B0625    | 2        |
| BOLT,FLANGED,8X25 (Ref # 41)     | 130B0825    | 3        |
| RADIATOR-ASSY (Ref # 42)         | 39061-1053  | 1        |
| CAP-ASSY-PRESSURE (Ref # 43)     | 49085-1051  | 1        |
| BOLT,RADIATOR DRAIN (Ref # 44)   | 92002-1682  | 1        |
| GASKET,DRAIN PLUG (Ref # 45)     | 11009-1152  | 1        |
| HOSE,COOLING,RADIATOR (Ref # 46) | 39062-1002  | 1        |
| FITTING,UPPER HOSE (Ref # 47)    | 92005-1012  | 1        |
| WASHER,PLAIN (Ref # 48)          | 92022-298   | 3        |
| COLLAR,12.7X15.9X12.5 (Ref # 49) | 92027-1141  | 3        |
| CLAMP,HOSE (Ref # 50)            | 92037-1177  | 2        |
| CLAMP,HOSE (Ref # 50-1)          | 92037-1177  | 2        |
| DAMPER,RADIATOR (Ref # 51)       | 92075-1127  | 3        |
| "O" RING,13.5MM (Ref # 52)       | 92055-073   | 1        |