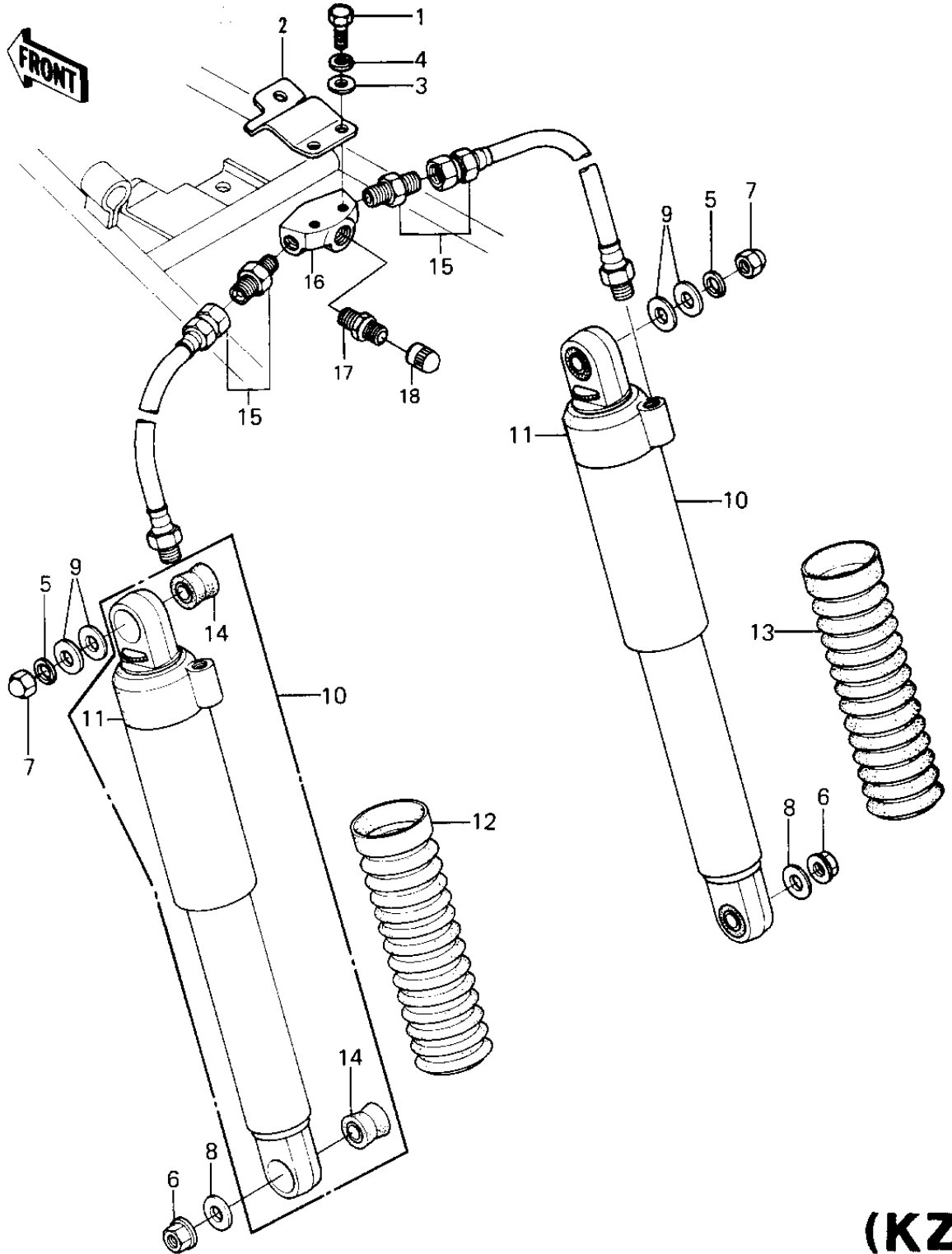


1981 KZ1300-A3 PARTS DIAGRAM

SHOCK ABSORBERS (KZ1300-A3)



(KZ

1981 KZ1300-A3 PARTS LIST

SHOCK ABSORBERS (KZ1300-A3)

ITEM NAME	PART NUMBER	QUANTITY
BOLT-UPSET 6X14 (Ref # 1)	112B0614	2
BRACKET-SHCKBSRBR,RR (Ref # 2)	32037-1138	1
WASHER PLAIN 6MM (Ref # 3)	410B0600	2
WASHER SPRING 6MM (Ref # 4)	461F0600	2
WASHER SPRING 12MM (Ref # 5)	461F1200	2
NUT,10MM (Ref # 6)	92015-1415	2
NUT 12MM (Ref # 7)	92020-014	2
WASHER,10.5X30X2.3 (Ref # 8)	92022-1193	2
WASHER,12.4X28X2.3 (Ref # 9)	92022-1239	4
SHOCK ABSORBER,REAR (Ref # 10)	92075-1294	2
COVER,DAMPER,RR (Ref # 11)	14025-1298	2
BOOT,DAMPER (Ref # 12)	49006-1155	1
BOOT,DAMPER (Ref # 13)	49006-1155	1
BUSHING,SHOCK ABSORBE (Ref # 14)	92075-1141	4
TUBE (Ref # 15)	92059-1168	2
HOLDER-VALVE,AIR (Ref # 16)	12023-1012	1
VALVE AIR (Ref # 17)	16126-1052	1
CAP,AIR VALVE (Ref # 18)	11012-1241	1