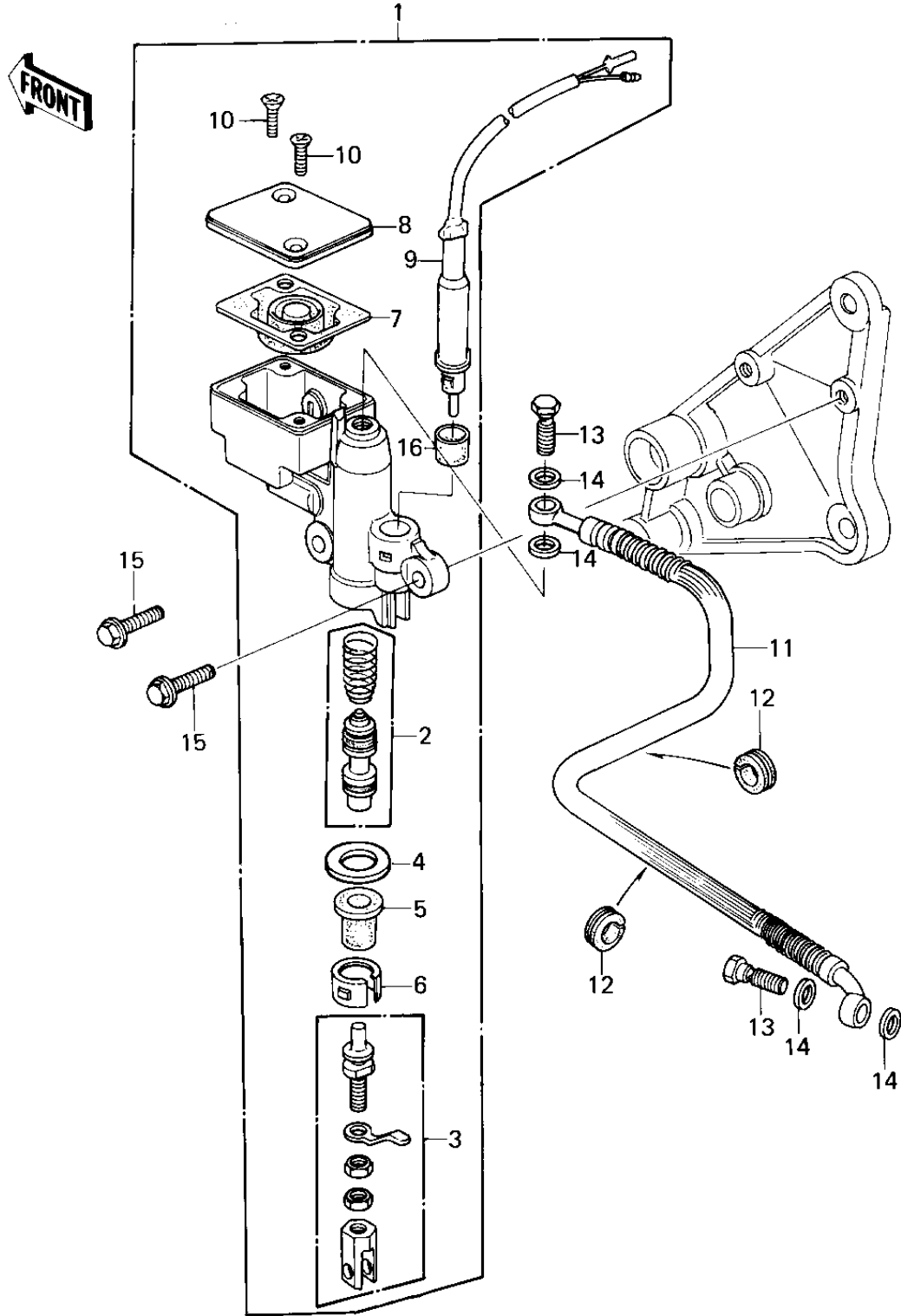


1980 KZ1300-A2 PARTS DIAGRAM

REAR MASTER CYLINDER



1980 KZ1300-A2 PARTS LIST

REAR MASTER CYLINDER

ITEM NAME	PART NUMBER	QUANTITY
CYLINDER ASSY,REAR (Ref # 1)	43015-1062	1
PISTON-COMP-BRAKE (Ref # 2)	43020-1024	1
ROD ASSY,BRAKE (Ref # 3)	43010-1001	1
STOPPER,PISTON (Ref # 4)	43022-1002	1
DUST COVER (Ref # 5)	49016-1026	1
STOPPER,DUST COVER (Ref # 6)	43022-1003	1
DIAPHRAGM (Ref # 7)	43028-1007	1
CAP,OIL CUP (Ref # 8)	43026-1013	1
SWITCH,REAR BRAKE (Ref # 9)	27010-1027	1
SCREW,COUNTERSUNK HED (Ref # 10)	92001-1055	1
HOSE-BRAKE,L=620 (Ref # 11)	43059-1177	1
DAMPER RUBBER (Ref # 12)	43064-007	1
BOLT,OIL,L=23 (Ref # 13)	92002-1888	1
WASHER-OIL BOLT (Ref # 14)	43067-001	1
BOLT,8X28 (Ref # 15)	92001-1095	1
BUSHING (Ref # 16)	92092-1007	1