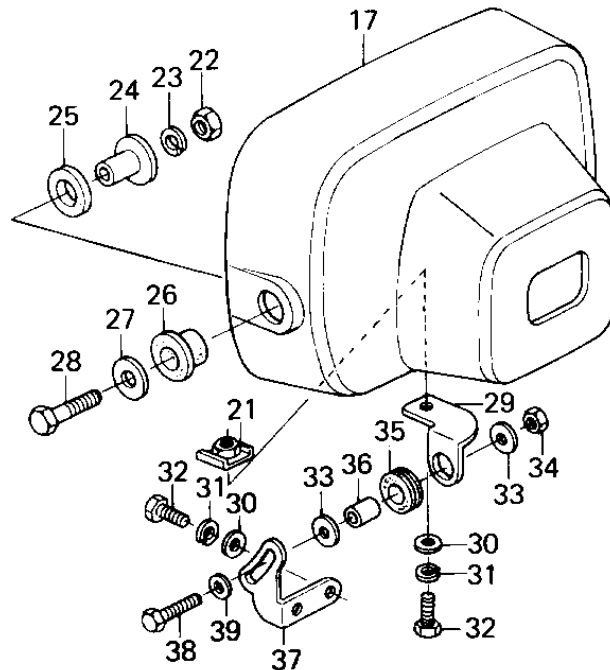
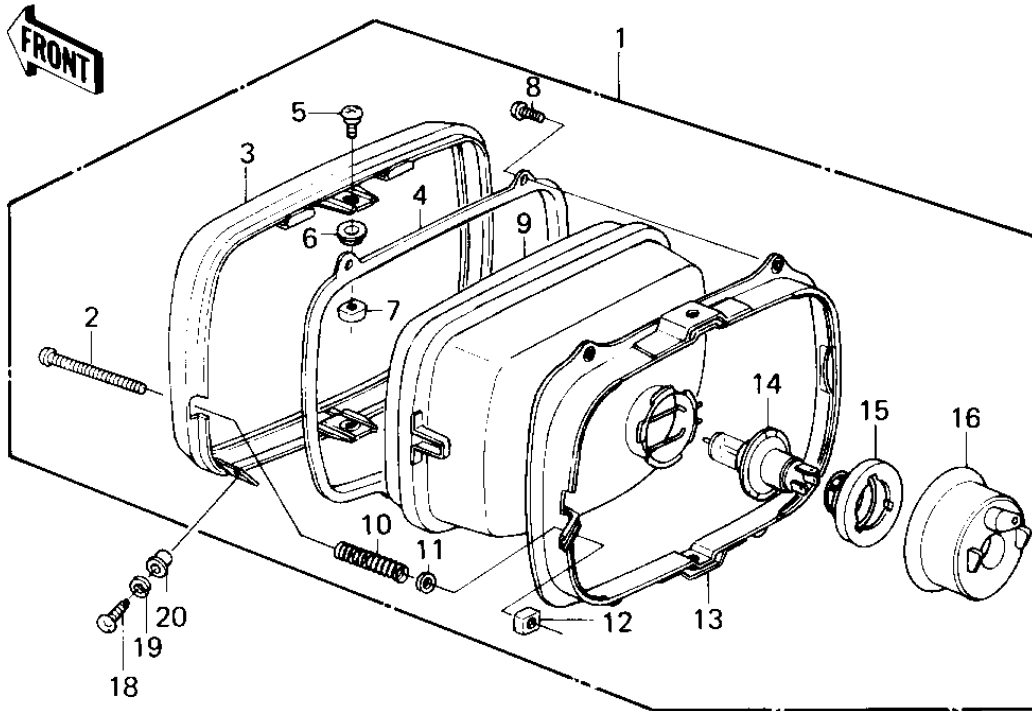


1981 KZ1300-A3 PARTS DIAGRAM

HEADLIGHT



1981 KZ1300-A3 PARTS LIST

HEADLIGHT

ITEM NAME	PART NUMBER	QUANTITY
LAMP-HEAD (Ref # 1)	23004-1075	1
SCREW,HEAD LAMP LENS (Ref # 2)	92009-1047	1
RIM,HEAD LAMP (Ref # 3)	23006-1005	1
RETAINER,HEAD LAMP (Ref # 4)	14020-1005	1
SCREW-PAN HEAD,5X12 (Ref # 5)	23019-023	2
WASHER-PLAIN,5MM (Ref # 6)	23021-012	2
NUT,HEAD LAMP RIM FIT (Ref # 7)	23020-023	2
SCREW PAN HEAD 3X8 (Ref # 8)	220B0308	4
LENS UNIT,HEAD LAMP (Ref # 9)	23007-1013	1
SPRING,HEAD LAMP LENS (Ref # 10)	92081-1103	1
WASHER (Ref # 11)	23021-004	1
NUT,4MM (Ref # 12)	23020-018	1
HOLDER,HEAD LAMP MOUN (Ref # 13)	13091-1035	1
BULB,12V-60/55W (Ref # 14)	92069-1002	1
HOLDER,HEAD LAMP SOCK (Ref # 15)	13091-1036	1
COVER,HEAD LAMP SOCKE (Ref # 16)	49016-1023	1
BODY-COMP-HEAD LAMP,F (Ref # 17)	23005-1024-21	1
SCREW-PAN HEAD,5MM (Ref # 18)	92011-024	2
WASHER SPRING 5MM (Ref # 19)	461F0500	2
WASHER (Ref # 20)	23021-010	2
NUT,HEAD LAMP BODY FT (Ref # 21)	92015-1050	1
NUT,8M/M (Ref # 22)	317B0800	2
WASHER SPRING 8MM (Ref # 23)	461F0800	2
COLLAR,HEAD LAMP FITT (Ref # 24)	92027-1131	2
DAMPER,HEAD LAMP FITT (Ref # 25)	92075-1110	2
DAMPER,HEAD LAMP FITT (Ref # 26)	92075-1109	2
WASHER,PLAIN,8MM (Ref # 27)	411D0800	2
BOLT 8X38 (Ref # 28)	92001-1405	2
BOLT 8X38 (Ref # 28)	92001-1405	2

1981 KZ1300-A3 PARTS LIST

HEADLIGHT

ITEM NAME	PART NUMBER	QUANTITY
BRACKET,HEAD LAMP BDY (Ref # 29)	11034-1289	1
WASHER PLAIN 6MM (Ref # 30)	411B0600	3
WASHER SPRING 6MM (Ref # 31)	461F0600	3
BOLT-UPSET,6X16 (Ref # 32)	112G0616	3
WASHER 6.5X20X1.6T (Ref # 33)	92022-125	2
NUT,LOCK 6MM (Ref # 34)	92017-014	1
DAMPER RUBBER,RR FENR (Ref # 35)	92075-209	1
COLLAR (Ref # 36)	92027-241	1
BRACKET,HEAD LAMP BDY (Ref # 37)	11034-1290	1
BRACKET,HEAD LAMP (Ref # 37)	11036-1042	1
BOLT-UPSET (Ref # 38)	112G0630	1
WASHER PLAIN 6MM (Ref # 39)	411B0600	1