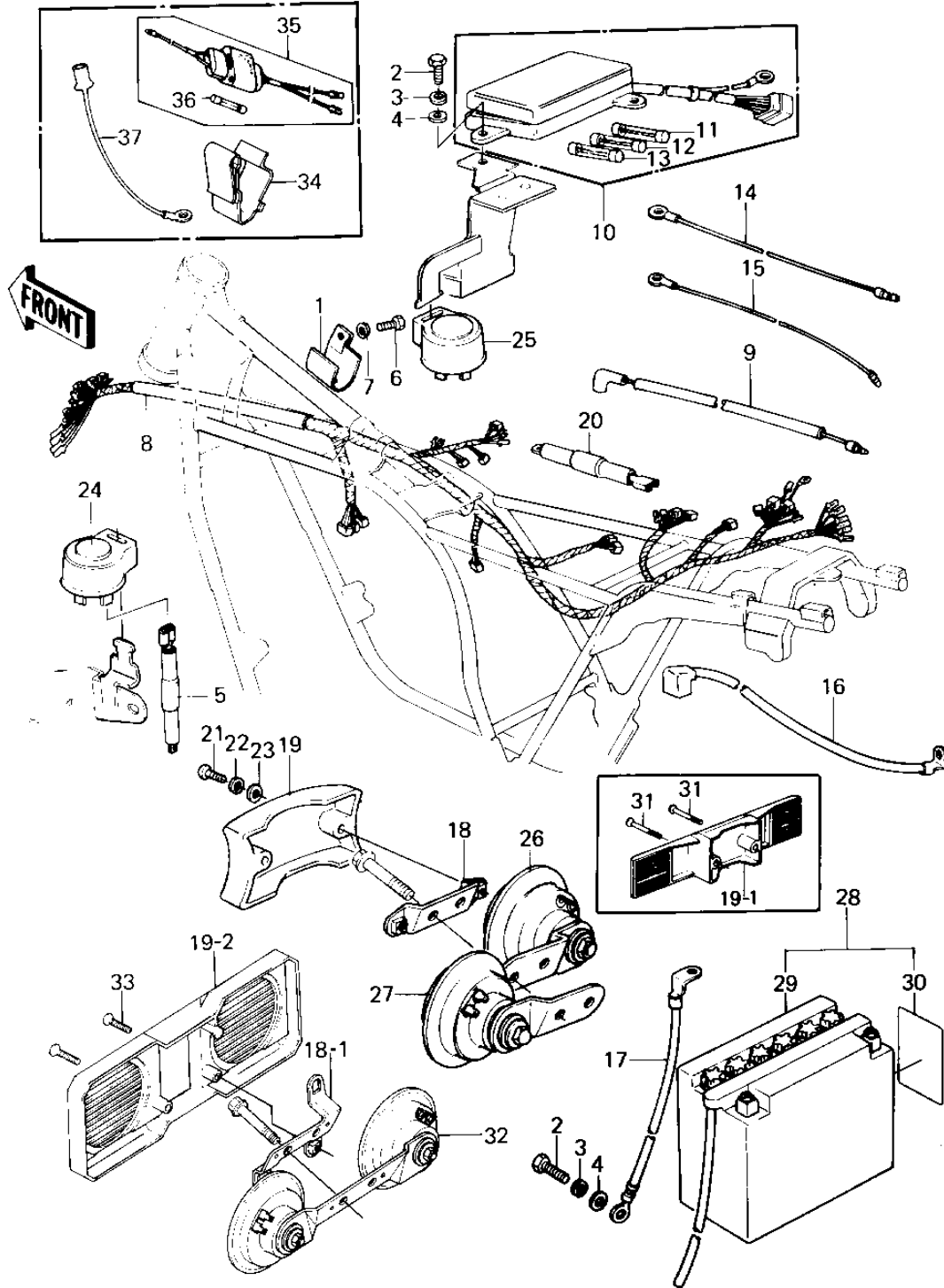


# 1981 KZ1300-A3 PARTS DIAGRAM

## CHASSIS ELECTRICAL EQUIPMENT



# 1981 KZ1300-A3 PARTS LIST

## CHASSIS ELECTRICAL EQUIPMENT

ITEM NAME	PART NUMBER	QUANTITY
GUIDE,MAIN HARNESS (Ref # 1)	13070-1022	1
BOLT-UPSET,6X12 (Ref # 2)	112G0612	2
WASHER SPRING 6MM (Ref # 3)	461F0600	2
WASHER PLAIN 6MM (Ref # 4)	411B0600	2
REGULATOR (Ref # 5)	21066-026	1
BOLT,6X10 (Ref # 6)	112G0610	1
WASHER SPRING 6MM (Ref # 7)	461F0600	1
WIRING HARNESS,MAIN (Ref # 8)	26001-1063	1
WIRING HARNESS,MAIN (Ref # 8)	26001-1105	1
WIRING HARNESS,MAIN (Ref # 8)	26001-1171	1
WIRING HARNESS,MAIN (Ref # 8)	26001-1171	1
HARNESS,MAIN (Ref # 8)	26001-1195	1
WIRING HARNESS,SUB (Ref # 9)	26001-1064	1
FUSE ASSY (Ref # 10)	26004-1009	1
FUSE,2A,L=25M/M (Ref # 11)	26006-1004	2
FUSE 10A (Ref # 12)	26006-003	4
FUSE,30A,L=25M/M (Ref # 13)	26006-1005	2
LEAD WIRE,SIGNAL LAMP (Ref # 14)	26011-063	2
WIRE,LEAD (Ref # 14)	26011-095	2
WIRE,LEAD (Ref # 15)	26011-095	2
WIRE,STARTER LEAD (Ref # 16)	26011-1037	1
WIRE,BATTERY GROUND (Ref # 17)	26011-1038	1
BRACKET,HARN FITTING (Ref # 18)	11034-1504	1
BRACKET,HORN COVER (Ref # 18-1)	11036-1028	1
COVER (Ref # 19)	14025-1156	1
COVER,HORN (Ref # 19-1)	14025-1200	1
COVER,HORN (Ref # 19-2)	14025-1310	1
REGULATOR (Ref # 20)	21066-026	1
SCREW-PAN-CRROSS,4X12 (Ref # 21)	220B0412	2

# 1981 KZ1300-A3 PARTS LIST

## CHASSIS ELECTRICAL EQUIPMENT

ITEM NAME	PART NUMBER	QUANTITY
WASHER SPRING 4MM (Ref # 22)	461F0400	2
WASHER PLAIN 4MM (Ref # 23)	410B0400	2
RELAY-TURN SIGNAL (Ref # 24)	27002-011	1
RELAY,TURN SIGNAL (Ref # 25)	27002-016	1
HORN (Ref # 26)	27003-1009	1
HORN (Ref # 27)	27003-1012	1
YUA BAT Y50-N18L-A2 (Ref # 28)	26012-1012	1
26012-1012 (Canada) (Ref # 29)	26012-1019	1
LABEL-WARNING,BATTERY (Ref # 30)	56040-1036	1
SCREW,CNTSNK 4X35 (Ref # 31)	92009-1089	2
HORN (Ref # 32)	27003-1037	1
SCREW-CSK (Ref # 33)	221C0430	2
HOLDER,ACCESSORY FUSE (Ref # 34)	13091-1102	1
FUSE-ASSY,ACCESSORY (Ref # 35)	26004-1014	1
FUSE,10A,L=30M/M (Ref # 36)	26006-1002	3
WIRE-LEAD,ACCESSORY G (Ref # 37)	26011-1100	1