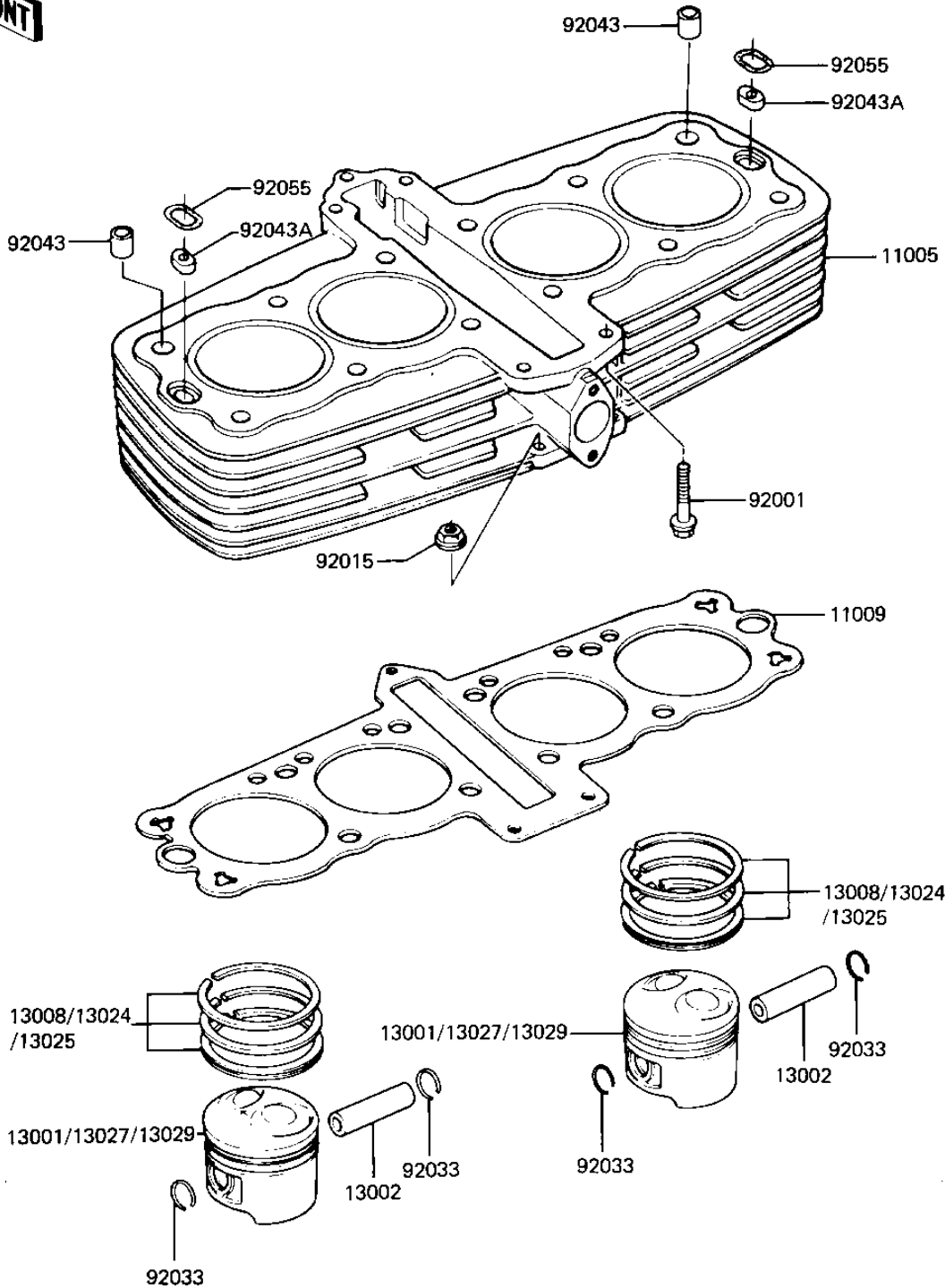


1981 GPz PARTS DIAGRAM

CYLINDER/PISTONS

E1120-0003



1981 GPz PARTS LIST

CYLINDER/PISTONS

ITEM NAME	PART NUMBER	QUANTITY
CYLINDER ASSY,F.BLACK (Ref # 11005)	11005-1076	1
GASKET,CYLINDER BASE (Ref # 11009)	11009-1932	1
PISTON-ENGINE,STD (Ref # 13001)	13001-1127	4
PIN-PISTON (Ref # 13002)	13002-1012	4
RING-SET-PISTON,STD (Ref # 13008)	13008-1009	4
RING-SET-PISTON-LL (Ref # 13024)	13024-1010	4
RING-SET-PISTON-L (Ref # 13025)	13025-1010	4
PISTON-ENGINE,O/S (Ref # 13027)	13027-1058	4
PISTON-ENGINE,O/S (Ref # 13029)	13029-1062	4
BOLT (Ref # 92001)	92003-202	5
NUT-6MM (Ref # 92015)	92015-1078	3
CIRCLIP,PISTON (Ref # 92033)	92033-1050	8
PIN,DOWEL,12MM (Ref # 92043)	92042-031	2
PIN,OIL LINE (Ref # 92043A)	92043-1210	2
RING-O (Ref # 92055)	92055-1147	2