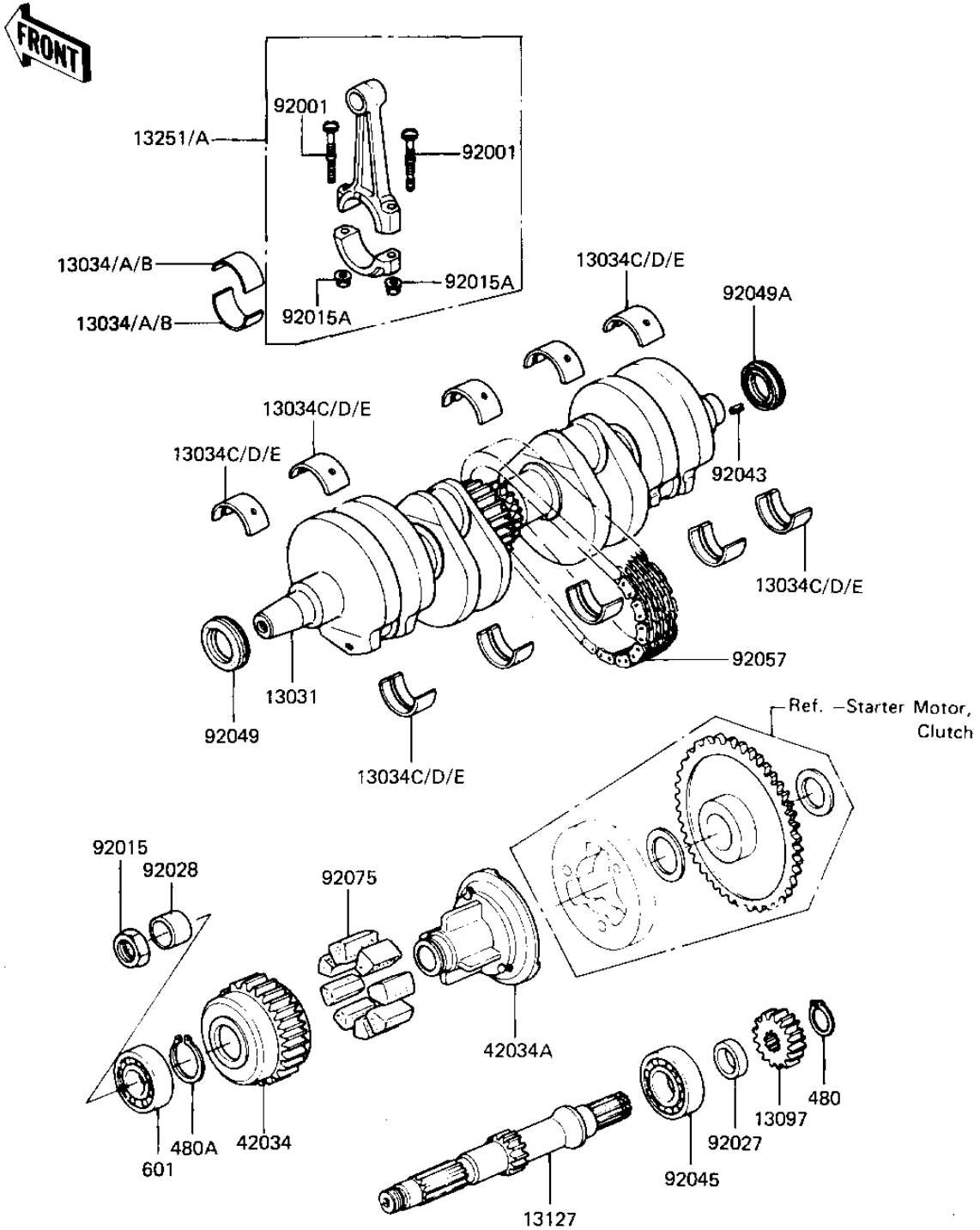


1981 GPz PARTS DIAGRAM

CRANKSHAFT/SECONDARY SHAFT

E1321-0003



1981 GPz PARTS LIST

CRANKSHAFT/SECONDARY SHAFT

ITEM NAME	PART NUMBER	QUANTITY
CRANK SHAFT ASSY (Ref # 13031)	13031-1014	1
BUSHING,CONNECTING RO (Ref # 13034)	13034-1067	AR
BUSHING,CONNECTING RO (Ref # 13034A)	13034-1068	AR
BUSHING,CONNECTING RO (Ref # 13034B)	13034-1069	AR
METAL,BRG,"BROWN"MARK (Ref # 13034C)	13034-1016	AR
METAL,BRG"BLACK"MARK (Ref # 13034D)	13034-1017	AR
METAL,BRG,"BLUE"MARK (Ref # 13034E)	13034-1018	AR
GEAR,PRIMARY,26T (Ref # 13097)	13097-1008	1
SHAFT,SECONDARY (Ref # 13127)	13127-1007	1
ROD-ASSY-CONNECTING (Ref # 13251)	13251-1004-JJ	4
ROD-ASSY-CONNECTING (Ref # 13251A)	13251-1004-JJ	4
COUPLING,OUTER (Ref # 42034)	42034-1004	1
COUPLING,INNER (Ref # 42034A)	42034-1005	1
BOLT,CONNECTING ROD (Ref # 92001)	92001-1793	8
NUT 18MM (Ref # 92015)	92015-019	1
NUT,CONNECTING ROD (Ref # 92015A)	92016-060	8
COLLAR (Ref # 92027)	92027-1438	1
BUSHING,SECONDARY (Ref # 92028)	92028-1037	1
PIN-SPRING,4X8 (Ref # 92043)	555A0408	1
BEARING,BALL,#63/22X (Ref # 92045)	92045-1017	1
OIL SEAL,HSCY 25X36X7 (Ref # 92049)	92049-1013	1
OIL SEAL,HSCY25397 (Ref # 92049A)	92050-081	1
CHAIN,#63-139X50L (Ref # 92057)	92057-1011	1
DAMPER RUBBER,COUPLNG (Ref # 92075)	92075-1070	8
CIRCLIP,22MM (Ref # 480)	480J2200	1
CIRCLIP 28MM (Ref # 480A)	480J2800	1
BEARING BALL #6205 (Ref # 601)	601B6205	1