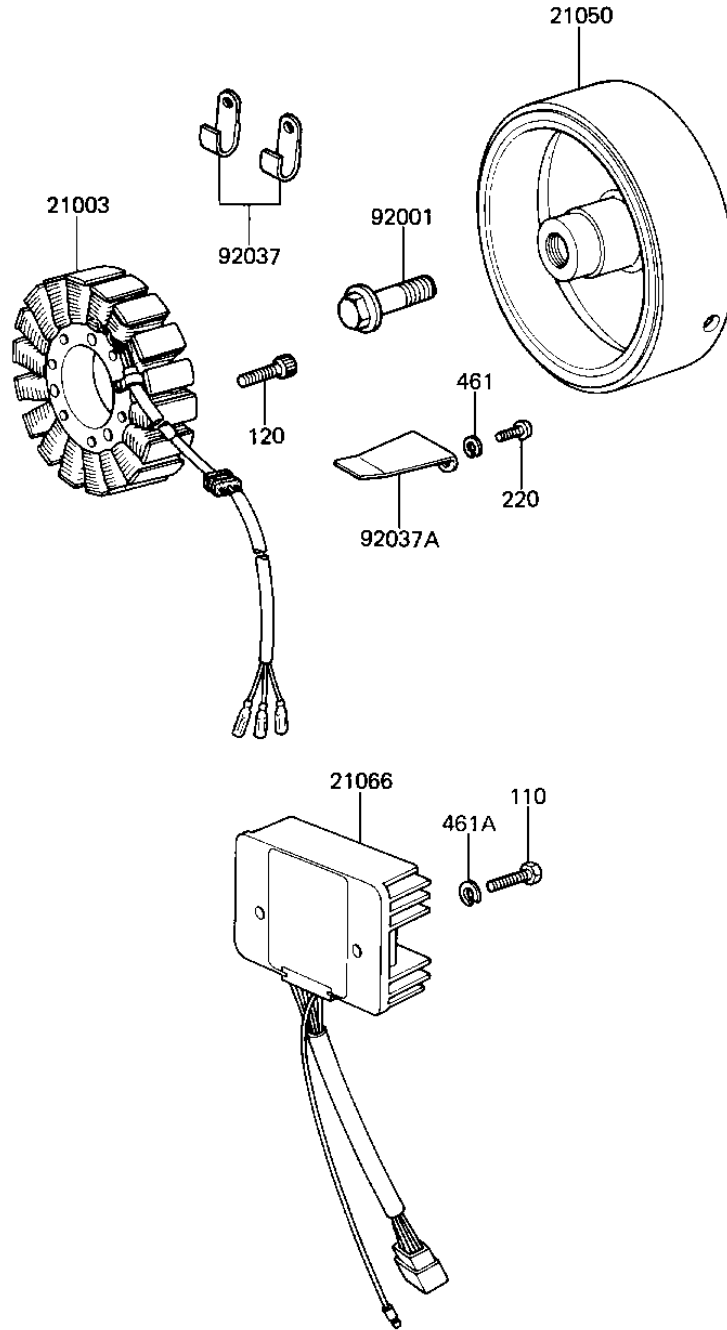


1981 GPz PARTS DIAGRAM

GENERATOR/REGULATOR

E1810-0020



1981 GPz PARTS LIST

GENERATOR/REGULATOR

ITEM NAME	PART NUMBER	QUANTITY
STATOR,GENERATOR (Ref # 21003)	21003-1038	1
FLYWHEEL,GENERATOR (Ref # 21050)	21050-1019	1
REGULATOR,VOLTAGE (Ref # 21066)	21066-1008	1
BOLT,10X40 (Ref # 92001)	92001-1201	1
CLAMP,WIRING HARNESS (Ref # 92037)	21126-008	2
CLAMP,GENERATOR WIRE (Ref # 92037A)	92037-1122	1
BOLT-UPSET (Ref # 110)	112G0625	2
BOLT,ALLEN,6X28 (Ref # 120)	120P0628	3
SCREW PAN HEAD 5X12 (Ref # 220)	220B0512	2
WASHER SPRING 5MM (Ref # 461)	461F0500	2
WASHER SPRING 6MM (Ref # 461A)	461F0600	2