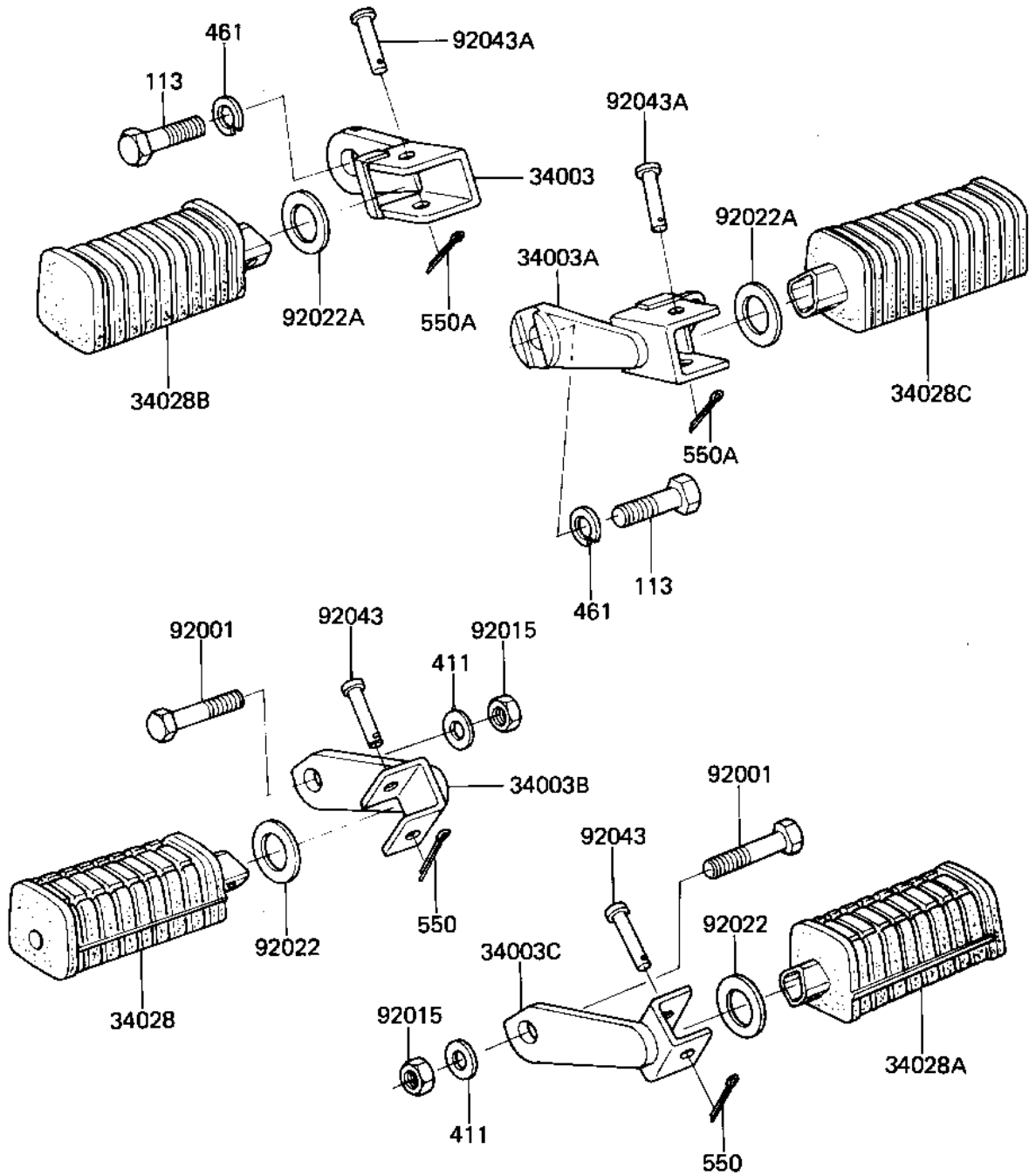


# 1981 GPz PARTS DIAGRAM

FOOTRESTS

F2160-0027



# 1981 GPz PARTS LIST

## FOOTRESTS

ITEM NAME	PART NUMBER	QUANTITY
HOLDER-STEP,FR,LH (Ref # 34003)	34003-1106	1
HOLDER-STEP,FR,RH (Ref # 34003A)	34003-1107	1
HOLDER-STEP,RR,LH (Ref # 34003B)	34003-1108	1
HOLDER-STEP,RR,RH (Ref # 34003C)	34003-1109	1
STEP,FOOTREST,REAR,LH (Ref # 34028)	34028-1009	1
STEP,FOOTREST,REAR,RH (Ref # 34028A)	34028-1010	1
STEP-ASSY,FR,RH (Ref # 34028B)	34028-1018	1
STEP-ASSY,FR,RH (Ref # 34028C)	34028-1018	1
BOLT,FLANGED,10X41 (Ref # 92001)	92001-1355	2
NUT,LOCK,10MM (Ref # 92015)	92019-021	2
WASHER-PLAIN (Ref # 92022)	92022-181	2
WASHER,PLAIN (Ref # 92022A)	92022-250	2
PIN (Ref # 92043)	92043-1464	2
PIN,FOOTREST BAR FIT (Ref # 92043A)	92043-115	2
BOLT,HEX HEAD,12X25 (Ref # 113)	113G1225A	2
WASHER PLAIN 10MM (Ref # 411)	411B1000	2
WASHER SPRING 12MM (Ref # 461)	461F1200	2
PIN,COTTER,2.0X12 (Ref # 550)	550D2012	2
PIN,COTTER,2.5X15 (Ref # 550A)	550D2515	2