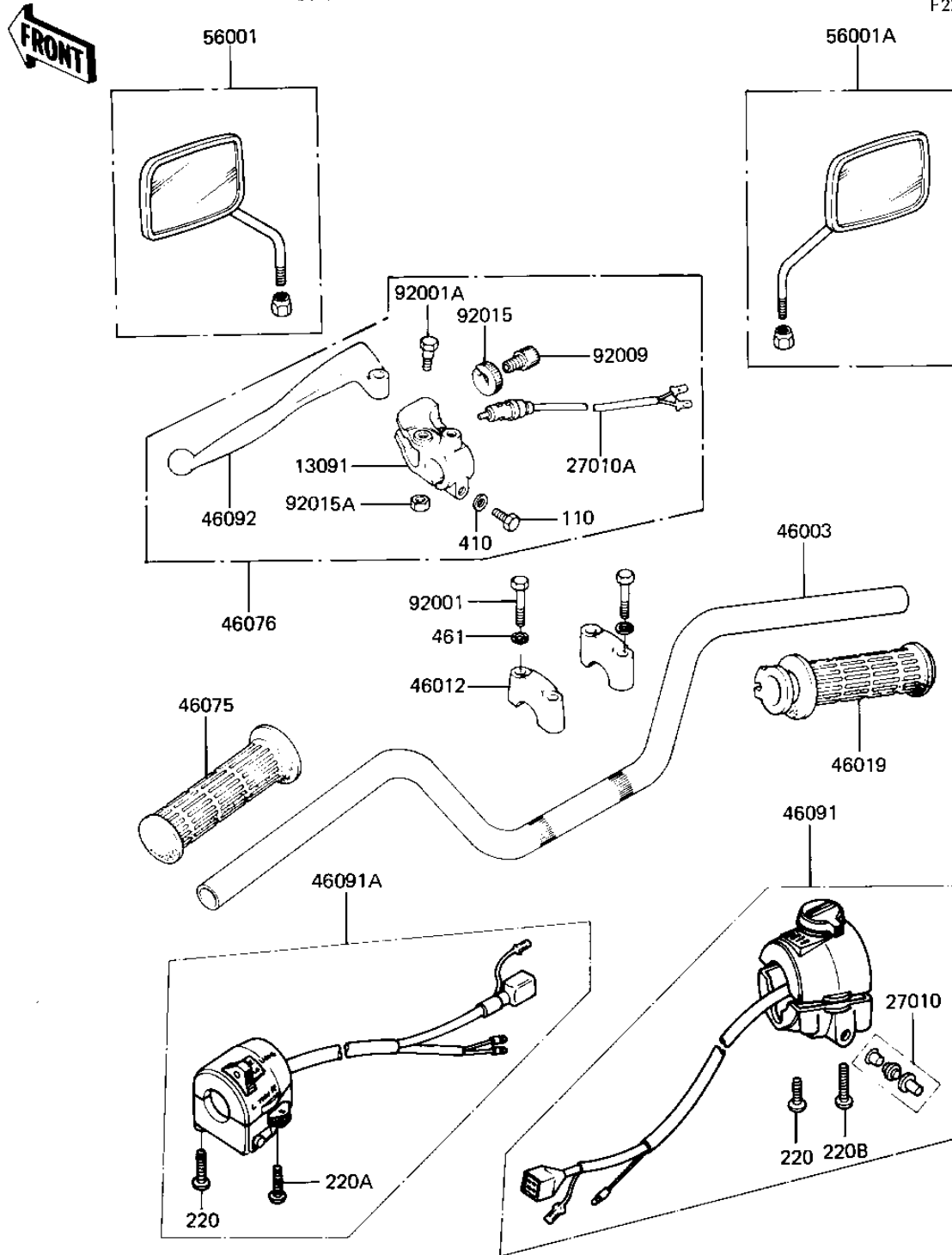


1981 GPz PARTS DIAGRAM

HANDLEBAR

F2310-0059



1981 GPz PARTS LIST

HANDLEBAR

ITEM NAME	PART NUMBER	QUANTITY
HOLDER,CLUTCH LEVER (Ref # 13091)	46094-019	1
SWITCH ASSY,HORN BUTN (Ref # 27010)	27010-1009	1
SWITCH,CLUTCH (Ref # 27010A)	27043-002	1
HANDLEBAR,BLACK (Ref # 46003)	46003-1078	1
HOLDER-HANDLEBAR (Ref # 46012)	46012-008	2
GRIP ASSY,THROTTLE (Ref # 46019)	46019-1004	1
RUBBER,L.H.GRIP (Ref # 46075)	46075-1001	1
LEVER-ASSY-GRIP,LH (Ref # 46076)	46076-1014	1
HOUSING ASSY,CONTR,RH (Ref # 46091)	46091-1105	1
HOUSING ASSY,CONTR,LH (Ref # 46091A)	46091-1141	1
LEVER-GRIP,LH (Ref # 46092)	46092-1022	1
MIRROR-ASSY,LH&RH (Ref # 56001)	56001-5006	1
MIRROR-ASSY,RH (Ref # 56001A)	56001-1094	1
BOLT 8X38 (Ref # 92001)	92001-1405	4
BOLT,HEX HEAD (Ref # 92001A)	92007-047	1
SCREW CABLE ADJUST (Ref # 92009)	46055-003	1
NUT,CABLE ADJUST NUT (Ref # 92015)	46056-007	1
NUT (Ref # 92015A)	92019-008	1
BOLT HEX HEAD 6X25 (Ref # 110)	110N0625	1
SCREW PAN HEAD 5X30 (Ref # 220)	220B0530	2
SCREW-PAN-CROS (Ref # 220A)	220B0535	1
SCREW-PAN-CROS (Ref # 220B)	220B0540	1
WASHER PLAIN 6MM (Ref # 410)	410B0600	1
WASHER SPRING 8MM (Ref # 461)	461F0800	4