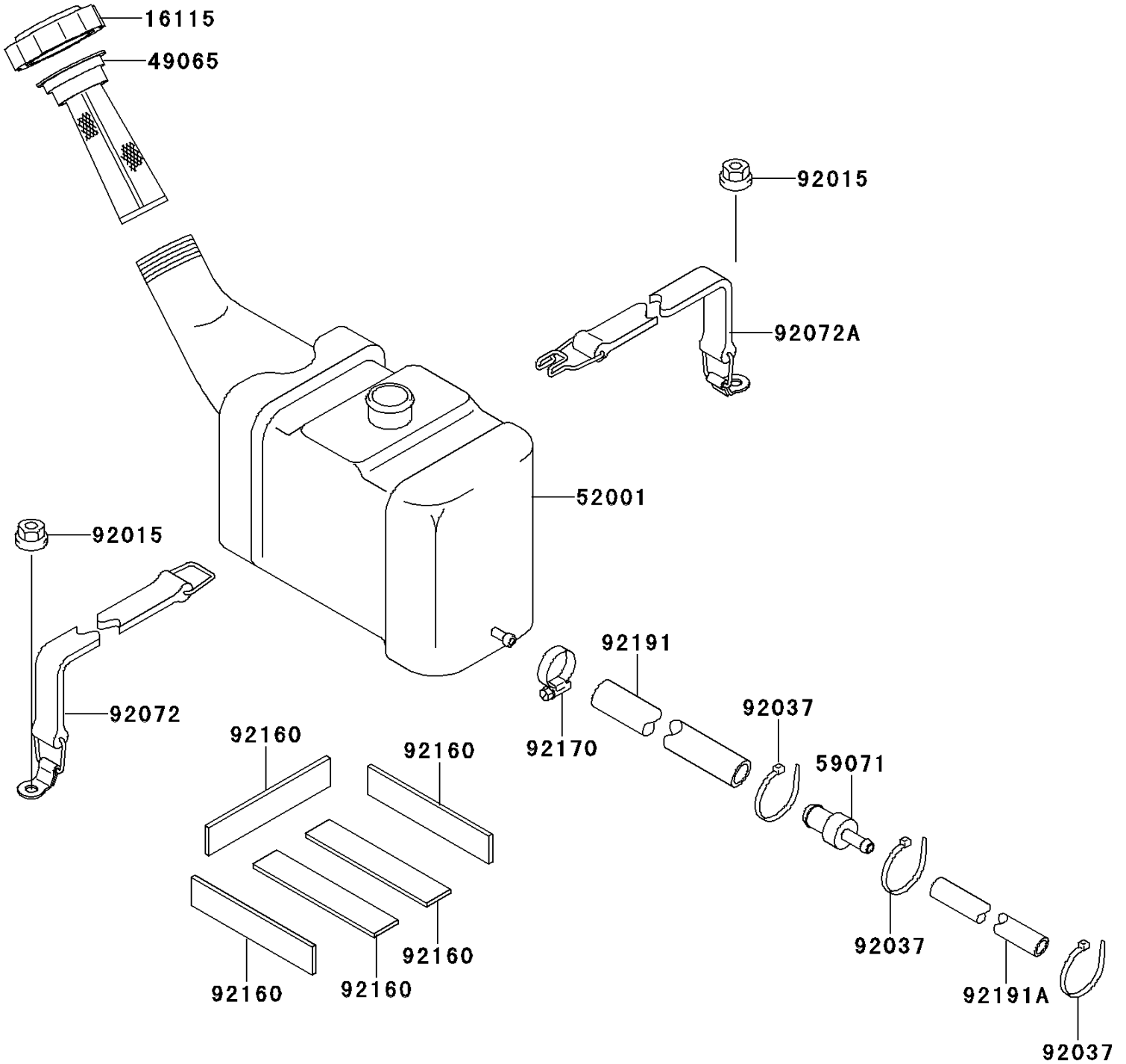


1997 1100 STX PARTS DIAGRAM

Oil Tank

F3174



1997 1100 STX PARTS LIST

Oil Tank

| ITEM NAME | PART NUMBER | QUANTITY |
|------------------------------|-------------|----------|
| CAP-OIL FILLER (Ref # 16115) | 16115-3717 | 1 |
| FILTER-OIL (Ref # 49065) | 49065-3702 | 1 |
| TANK-OIL (Ref # 52001) | 52001-3724 | 1 |
| JOINT (Ref # 59071) | 59071-3748 | 1 |
| NUT,6MM (Ref # 92015) | 92015-3767 | 4 |
| CLAMP (Ref # 92037) | 92037-1173 | 3 |
| BAND,OIL TANK (Ref # 92072) | 92072-3812 | 2 |
| BAND,OIL TANK (Ref # 92072A) | 92072-3815 | 2 |
| DAMPER (Ref # 92160) | 92160-3793 | 5 |
| CLAMP (Ref # 92170) | 92170-3718 | 1 |
| TUBE,12X17X330 (Ref # 92191) | 92191-3804 | 1 |
| TUBE,6X10X390 (Ref # 92191A) | 92191-3806 | 1 |