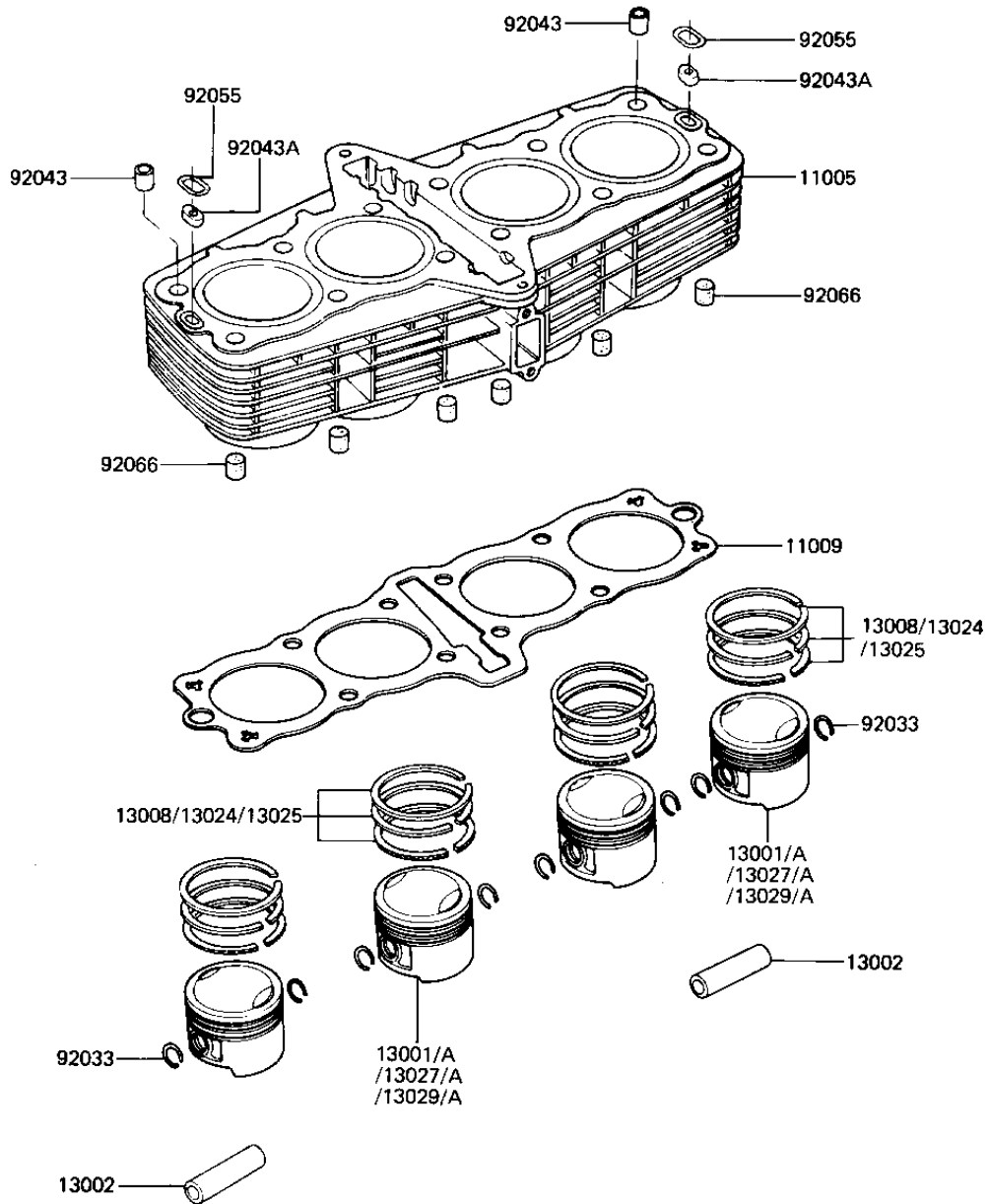


1982 CSR PARTS DIAGRAM

CYLINDER/PISTONS ('81-'82 H1/H2)

E1120-0017



1982 CSR PARTS LIST

CYLINDER/PISTONS ('81-'82 H1/H2)

ITEM NAME	PART NUMBER	QUANTITY
CYLINDER-ENGINE,SILVE (Ref # 11005)	11005-1123	1
GASKET,CYLINDER BASE (Ref # 11009)	11060-1144	1
PISTON-ENGINE,STD (Ref # 13001A)	13001-1072	4
PIN-PISTON (Ref # 13002)	13002-032	4
RING SET,PISTON,STD (Ref # 13008)	13008-059	4
RING SET,0.040",O.S. (Ref # 13024)	13024-060	4
RING SET,0.020",O.S. (Ref # 13025)	13025-061	4
PISTON-ENGINE LL,O/S (Ref # 13027A)	13027-1033	4
PISTON-ENGINE L,O/S 0 (Ref # 13029A)	13029-1034	4
CIRCLIP PISTON PIN (Ref # 92033)	92036-005	8
PIN,11X14X12.3 (Ref # 92043)	92043-1266	2
PIN,OIL LINE (Ref # 92043A)	92043-1210	2
RING-O (Ref # 92055)	92055-1147	2
PLUG,DAMPER (Ref # 92066)	92066-1016	6