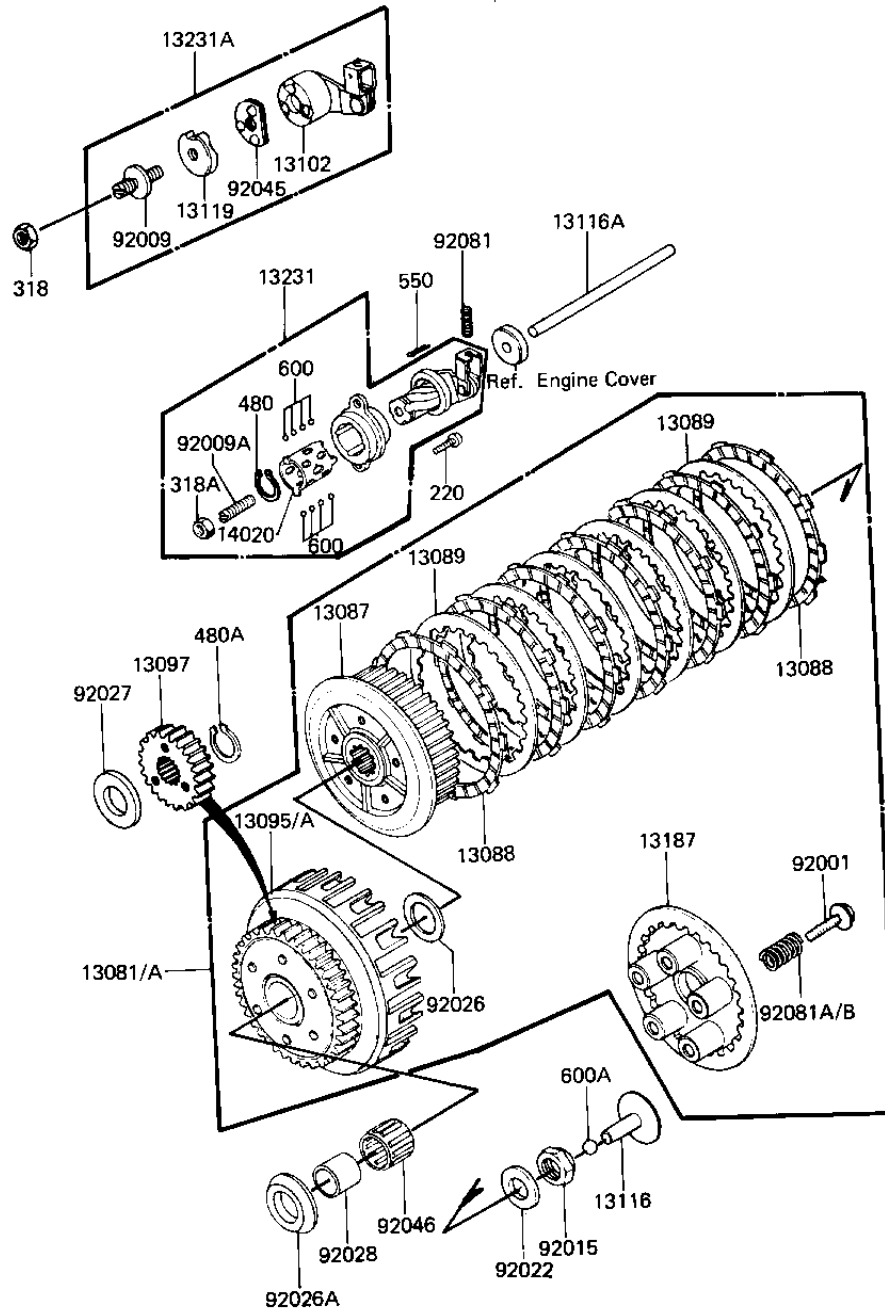


1982 CSR PARTS DIAGRAM

CLUTCH ('81-'82 H1/H2)

E1350-0028



1982 CSR PARTS LIST

CLUTCH ('81-'82 H1/H2)

ITEM NAME	PART NUMBER	QUANTITY
CLUTCH-ASSY (Ref # 13081)	13081-1034	1
HUB,CLUTCH (Ref # 13087)	13087-043	1
PLATE,CLUTCH FRICTION (Ref # 13088)	13088-030	7
PLATE,CLUTCH STEEL (Ref # 13089)	13089-022	6
HOUSING,CLUTCH (Ref # 13095A)	13095-1033	1
GEAR,2ND SHAFT,29T (Ref # 13097)	13121-037	1
RELEASE,CLUTCH (Ref # 13102)	13102-1008	1
PUSHER,CLUTCH SPRG PL (Ref # 13116)	13116-022	1
ROD,CLUTCH PUSH (Ref # 13116A)	13116-1007	1
CAM,RELEASE,CLUTCH (Ref # 13119)	13119-1003	1
PLATE,CLUTCH SPRING (Ref # 13187)	13187-006	1
BOLT,CLUTCH SPR FITT (Ref # 92001)	92001-1066	5
SCREW,SLOTTED,8M/M (Ref # 92009)	92009-1009	1
NUT,20MM (Ref # 92015)	92015-1555	1
WASHER,PLAIN,2.3X20.3 (Ref # 92022)	92022-1116	1
WASHER TH 25.5X47X2.5 (Ref # 92026)	92026-022	1
SPACER,THRUST,T=5.5MM (Ref # 92026A)	92026-116	1
COLLAR,T=5MM (Ref # 92027)	92027-263	1
BUSHING,CLUTCH (Ref # 92028)	92028-178	1
BEARING,BALL,CLUTCH (Ref # 92045)	92045-1001	1
BEARING,KTV323723 (Ref # 92046)	92046-028	1
SPRING-CLUTCH RELEASE (Ref # 92081)	92081-069	1
SPRING,CLUTCH (Ref # 92081B)	92081-1176	5
NUT HEX SMALL 8MM (Ref # 318)	318B0800	1
CIRCLIP,22MM (Ref # 480A)	480J2200	1
PIN COTTER 1.6X15 (Ref # 550)	550D1615	1
BALL STEEL 3/8' (Ref # 600A)	600A1200	1