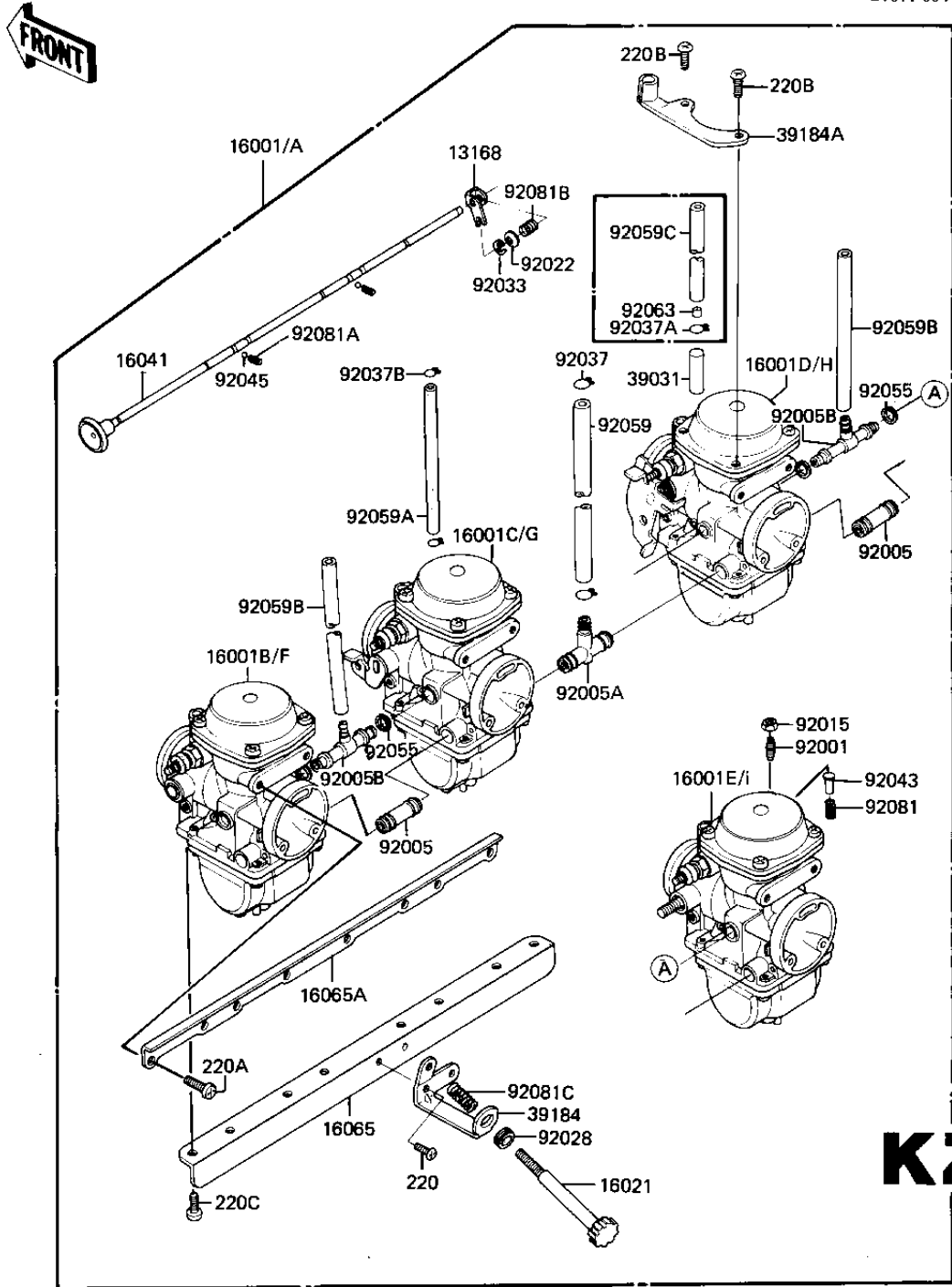


# 1982 CSR PARTS DIAGRAM

CARBURETOR ASSY (KZ650-H2)

E1611-0044



**KZ65**

# 1982 CSR PARTS LIST

## CARBURETOR ASSY (KZ650-H2)

ITEM NAME	PART NUMBER	QUANTITY
LEVER,CHOCK (Ref # 13168)	13168-1091	4
CARBURETOR (Ref # 16001)	16001-1479	1
CARBURETOR (Canada) (Ref # 16001A)	16001-1480	1
CARBURETOR,LH,OUTSIDE (Ref # 16001B)	16001-1481	1
CARBURETOR,LH,INSIDE (Ref # 16001C)	16001-1482	1
CARBURETOR,RH,INSIDE (Ref # 16001D)	16001-1483	1
CARBURETOR,RH,OUTSIDE (Ref # 16001E)	16001-1484	1
CARBURETOR,LH,OUTSIDE (Canada) (Ref # 16001F)	16001-1485	1
CARBURETOR,LH,INSIDE (Canada) (Ref # 16001G)	16001-1486	1
CARBURETOR,RH,INSIDE (Canada) (Ref # 16001H)	16001-1487	1
CARBURETOR,RH,OUTSIDE (Canada) (Ref # 16001I)	16001-1488	1
SCREW-THROTTLE STOP (Ref # 16021)	16021-1035	1
SHAFT-CARBURETOR,CHOC (Ref # 16041)	16041-1024	1
HOLDER-CARBURETOR,LWR (Ref # 16065)	16065-1043	1
HOLDER-CARBURETOR,UPP (Ref # 16065A)	16065-1044	1
CAP-END (Ref # 39031)	39031-1009	1
CAP-END (Ref # 39031)	39031-1009	2
BRACKET-ASSY,IDLING A (Ref # 39184)	39184-1007	1
BRACKET-ASSY,THROTTLE (Ref # 39184A)	39184-1009	1
BOLT,ADJUSTING (Ref # 92001)	92001-1447	3
FITTING,FUEL (Ref # 92005)	92005-1035	2
FITTING,FUEL (Ref # 92005A)	92005-1036	1
FITTING,AIR VENT (Ref # 92005B)	92005-1045	2
NUT,THROTTLE VLV ADST (Ref # 92015)	92015-1119	3
WASHER,SPRING (Ref # 92022)	92022-1255	4
BUSHING (Ref # 92028)	92028-1071	1
RING-SNAP,E (Ref # 92033)	92033-1066	4
CLAMP,HOSE (Ref # 92037)	92037-1184	2
CLAMP,TUBE (Canada) (Ref # 92037A)	92037-1235	1

# 1982 CSR PARTS LIST

## CARBURETOR ASSY (KZ650-H2)

ITEM NAME	PART NUMBER	QUANTITY
CLAMP,BREATHER HOSE (Ref # 92037B)	92037-174	2
PIN,THROTTLE VALVE (Ref # 92043)	92043-1079	3
BALL,STEEL,1/8" (Ref # 92045)	600A0400	2
"O" RING (Ref # 92055)	92055-510	4
TUBE,7.5X12.5X225 (Ref # 92059)	92059-1123	1
TUBE,5X9X150 (Ref # 92059A)	92059-1188	1
TUBE,6.5X9.5X300 (Ref # 92059B)	92059-1203	2
TUBE,4.5X8X200 (Canada) (Ref # 92059C)	92059-1204	1
JET-MAIN (Canada) (Ref # 92063)	92063-1097	1
SPRING,THROTTLE VALVE (Ref # 92081)	92081-1259	3
SPRING,FAST IDLE SHFT (Ref # 92081A)	92081-1260	2
SPRING,CHOCK SHAFT (Ref # 92081B)	92081-1364	4
SPRING,IDLING ADJUST (Ref # 92081C)	92081-1377	1
SCREW PAN HEAD 5X8 (Ref # 220)	220B0508	1
SCREW PAN HEAD 5X10 (Ref # 220A)	220B0510	8
SCREW PAN HEAD 5X12 (Ref # 220B)	220B0512	2
SCREW PAN HEAD 6X14 (Ref # 220C)	220B0614	8