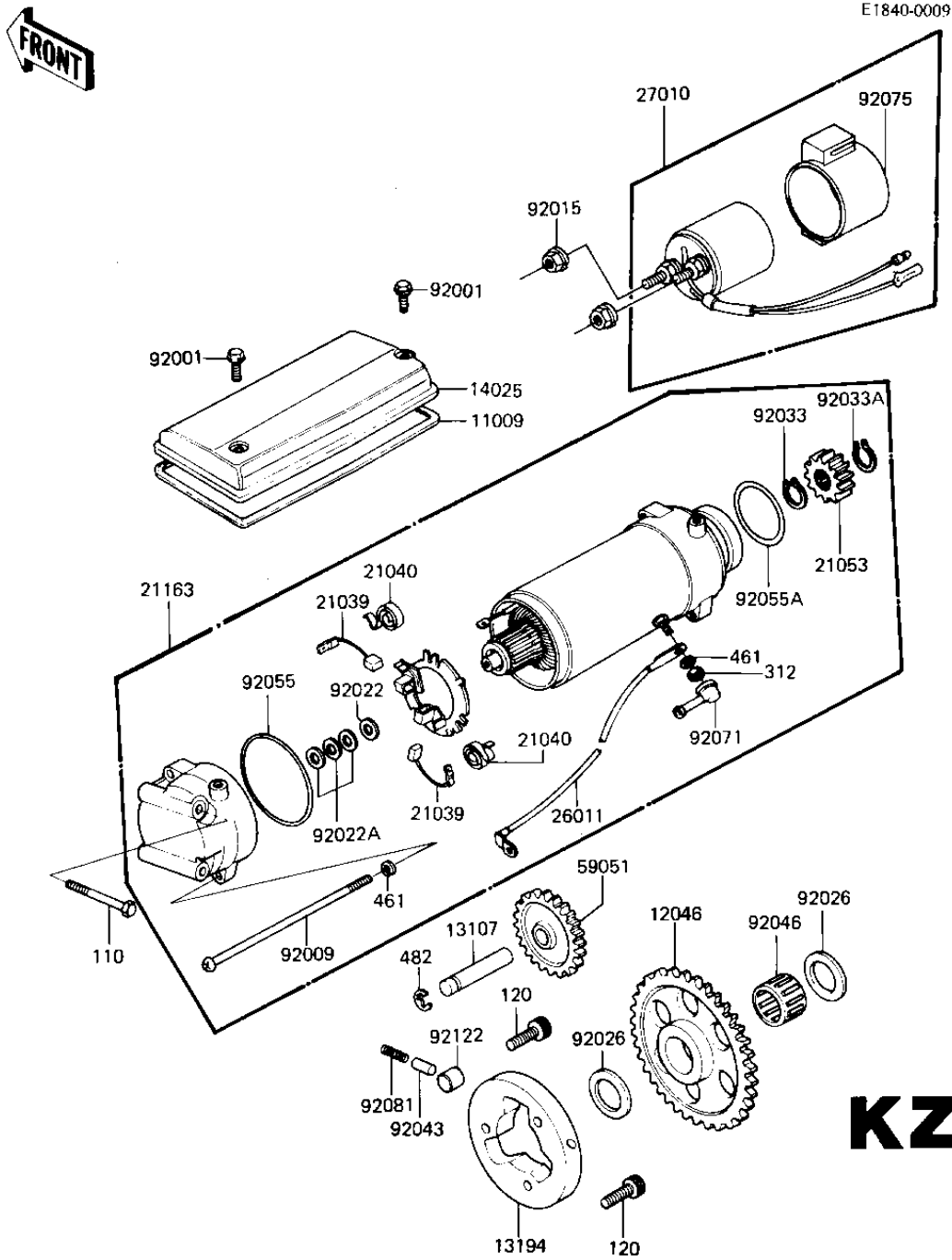


1981 CSR PARTS DIAGRAM

STARTER MOTOR/STARTER CLUTCH (KZ650-H1)



KZ65

1981 CSR PARTS LIST

STARTER MOTOR/STARTER CLUTCH (KZ650-H1)

| ITEM NAME | PART NUMBER | QUANTITY |
|-------------------------------------|-------------|----------|
| GASKET,STARTER COVER (Ref # 11009) | 21166-003 | 1 |
| SPROCKET,STARTER,58T (Ref # 12046) | 12046-1032 | 1 |
| SHAFT,IDLE GEAR (Ref # 13107) | 21143-003 | 1 |
| CLUTCH-ASSY-ONEWAY (Ref # 13194) | 13193-1012 | 1 |
| COVER,STARTER (Ref # 14025) | 21165-003 | 1 |
| CARBON BRUSH (Ref # 21039) | 21039-003 | 2 |
| SPRING,CARBON BRUSH (Ref # 21040) | 21040-003 | 2 |
| PINION,STARTER (Ref # 21053) | 21053-004 | 2 |
| STARTER-ELECTRIC (Ref # 21163) | 21163-1022 | 1 |
| WIRE-LEAD,STARTER (Ref # 26011) | 26011-1099 | 1 |
| SWITCH ASSY,MAGNETIC (Ref # 27010) | 21164-005 | 1 |
| GEAR,IDLE,29T (Ref # 59051) | 21167-004 | 1 |
| BOLT,6X10 (Ref # 92001) | 92001-1151 | 2 |
| SCREW,PAN HEAD,6X130 (Ref # 92009) | 21099-006 | 2 |
| NUT,LOCK 6MM (Ref # 92015) | 92017-014 | 2 |
| WASHER,THRUST,1.6T (Ref # 92022) | 21025-010 | 1 |
| WASHER,THRUST,0.2T (Ref # 92022A) | 21025-011 | 4 |
| SPACER,25X36X3.2 (Ref # 92026) | 92026-1025 | 2 |
| CIRCLIP (Ref # 92033) | 92033-034 | 1 |
| CIRCLIP,13M/M (Ref # 92033A) | 92033-037 | 1 |
| PIN (Ref # 92043) | 92043-087 | 3 |
| BRG,NEEDLE,K253017 (Ref # 92046) | 92046-056 | 1 |
| "0" RING,62MM (Ref # 92055) | 21027-006 | 1 |
| "0" RING,40M/M (Ref # 92055A) | 21027-008 | 1 |
| CAP,STARTING MOTOR (Ref # 17029) | 21017-020 | 1 |
| DAMPER MAG SWITCH SHK (Ref # 92075) | 21064-002 | 1 |
| SPRING (Ref # 92081) | 92081-110 | 3 |
| ROLLER (Ref # 92122) | 92122-004 | 3 |
| BOLT-UPSET (Ref # 110) | 112G0660 | 2 |

1981 CSR PARTS LIST

STARTER MOTOR/STARTER CLUTCH (KZ650-H1)

| ITEM NAME | PART NUMBER | QUANTITY |
|-------------------------------|-------------|----------|
| BOLT,SOCKET,8X12 (Ref # 120) | 120P0812 | 3 |
| NUT 6MM (Ref # 312) | 312B0600 | 2 |
| WASHER SPRING 6MM (Ref # 461) | 461F0600 | 4 |
| CIRCLIP 12MM (Ref # 482) | 482K0200 | 1 |