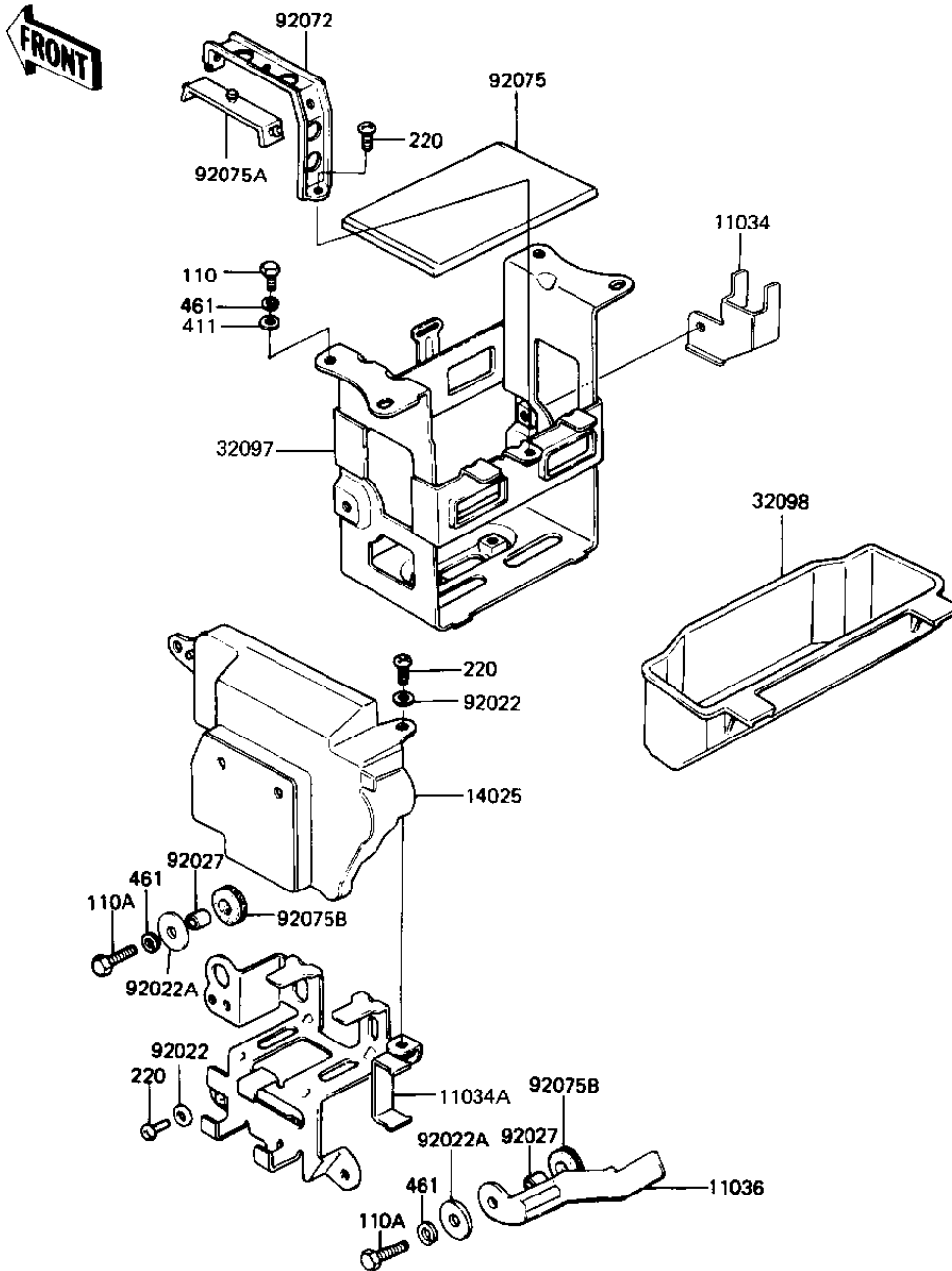


1982 CSR PARTS DIAGRAM

BATTERY CASE/TOOL CASE ('81-'82 H1/H2)

F2132-0041



1982 CSR PARTS LIST

BATTERY CASE/TOOL CASE ('81-'82 H1/H2)

ITEM NAME	PART NUMBER	QUANTITY
BRACKET,SWITCH (Ref # 11034)	11034-1158	1
BRACKET,ELECTRO BASE (Ref # 11034A)	11034-1669	1
BRACKET-A,FUSE (Ref # 11036)	11036-1043	1
COVER,ELECTRO BASE (Ref # 14025)	14025-1191	1
CASE,BATTERY (Ref # 32097)	32097-1026	1
CASE,TOOL (Ref # 32098)	32098-1011	1
WASHER PLAIN (Ref # 92022)	92022-024	2
WASHER,PLAIN,7MM (Ref # 92022A)	92022-228	2
COLLAR-CLAMP (Ref # 92027)	92027-291	2
BAND,BATTERY (Ref # 92072)	92072-1019	1
DAMPER,BATTERY BASE (Ref # 92075)	92075-1076	1
DAMPER,BATTERY BAND (Ref # 92075A)	92075-1113	1
DAMPER (Ref # 92075B)	92075-317	2
BOLT-UPSET,6X12 (Ref # 110)	112G0612	4
BOLT-UPSET (Ref # 110A)	112G0625	2
SCREW PAN HEAD 6X12 (Ref # 220)	220B0612	3
WASHER PLAIN 6MM (Ref # 411)	411B0600	4
WASHER SPRING 6MM (Ref # 461)	461F0600	6