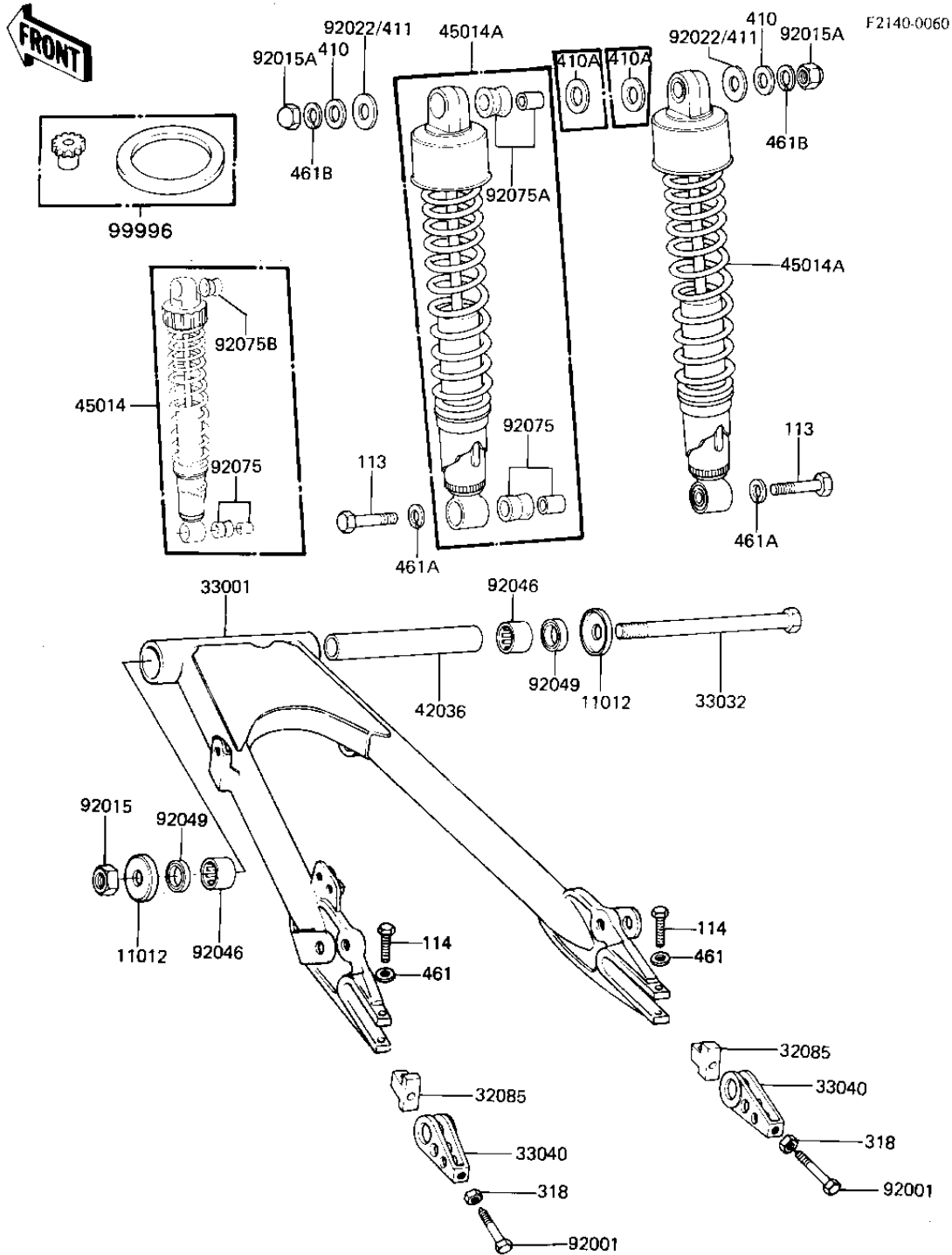


1982 CSR PARTS DIAGRAM

SWING ARM/SHOCK ABSORBERS ('81-'82 H1/H2)



1982 CSR PARTS LIST

SWING ARM/SHOCK ABSORBERS ('81-'82 H1/H2)

ITEM NAME	PART NUMBER	QUANTITY
CAP,SWING ARM (Ref # 11012)	33035-009	2
STOPPER,CHAIN ADJUST (Ref # 32085)	33044-002	2
ARM-COMP-SWING (Ref # 33001)	33001-1094	1
SHAFT,SWING ARM (Ref # 33032)	33032-050	1
ADJUSTER,CHAIN (Ref # 33040)	33040-056	2
SLEEVE,SWING ARM (Ref # 42036)	42036-1012	1
SHOCK ABSBR RR (Ref # 45014A)	45014-1154	2
BOLT,8X50 (Ref # 92001)	92001-1399	2
NUT-SELF LOCKING (Ref # 92015)	92019-012	1
NUT 12MM (Ref # 92015A)	92020-014	2
WASHER,12.4X28X2.3 (Ref # 92022)	92022-1239	2
BEARING-NEEDLE,HK2216 (Ref # 92046)	92046-1115	2
OIL SEAL,MHA22284 (Ref # 92049)	92049-1059	2
BUSHING,SHOCK ABSORBE (Ref # 92075)	45017-019	2
BUSHING,SHOCK ABSORBE (Ref # 92075A)	92075-1141	2
SHOCK ABSORBER KIT (Ref # 99996)	99996-1025	2
BOLT HEX HEAD 10X35 (Ref # 113)	113N1035	2
BOLT,SMALL UPSET (Ref # 114)	115G0835	2
NUT 8MM (Ref # 318)	318B0800	2
WASHER PLAIN 12MM (Ref # 410)	410B1200	2
WASHER PLAIN 14MM (Ref # 410A)	410B1400	2
WASHER SPRING 8MM (Ref # 461)	461F0800	2
WASHER SPRING 10MM (Ref # 461A)	461F1000	2
WASHER SPRING 12MM (Ref # 461B)	461F1200	2