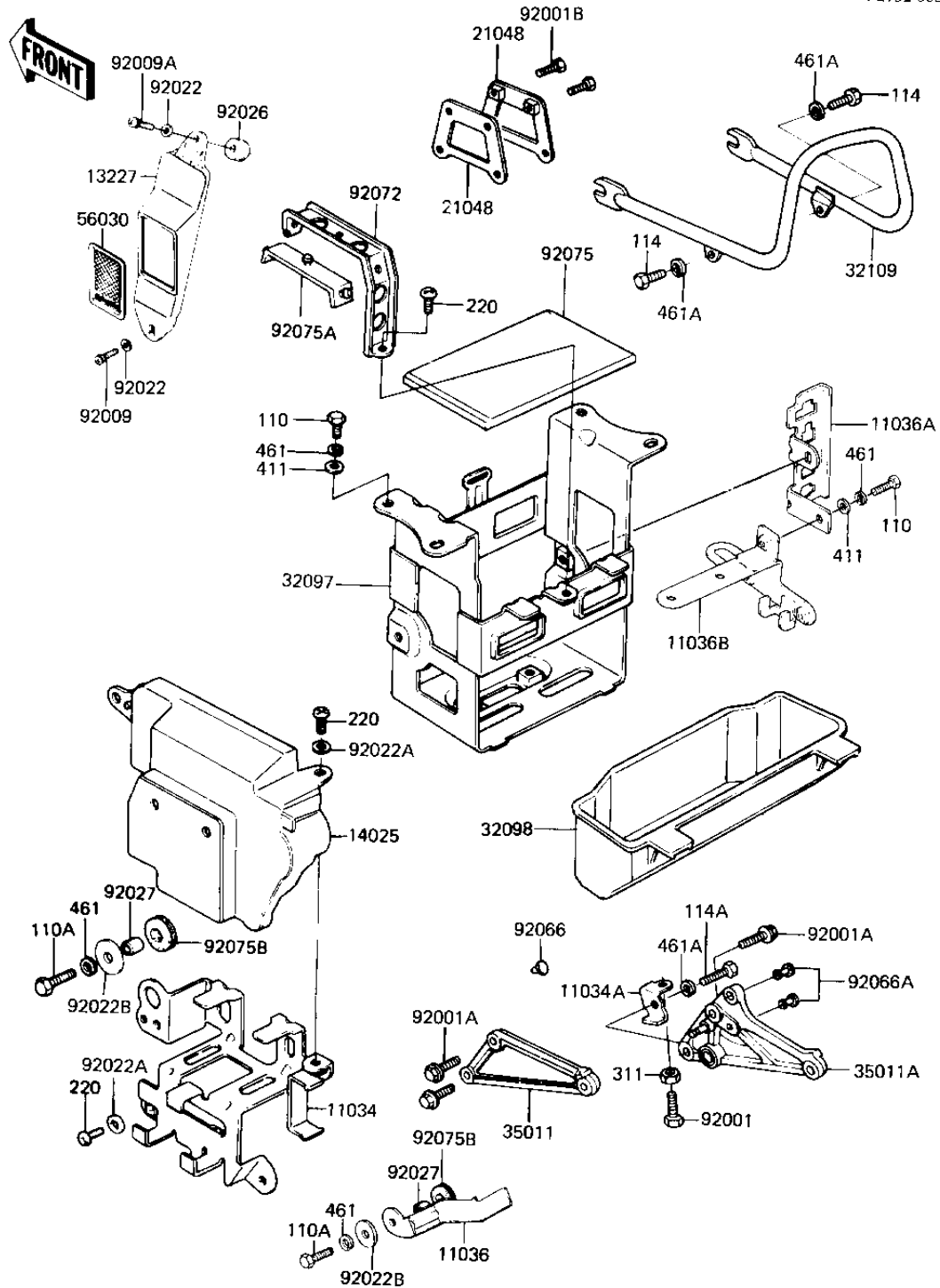


1983 CSR PARTS DIAGRAM

BATTERY CASE/TOOL CASE ('83 H3)

Γ2132-0083



1983 CSR PARTS LIST

BATTERY CASE/TOOL CASE ('83 H3)

ITEM NAME	PART NUMBER	QUANTITY
BRACKET,ELECTRO BASE (Ref # 11034)	11034-1669	1
BRACKET,BRAKE PEDAL (Ref # 11034A)	11034-1824	1
BRACKET-A,FUSE (Ref # 11036)	11036-1043	1
BRACKET-A,COUPLER (Ref # 11036A)	11036-1475	1
BRACKET-A,SWITCH (Ref # 11036B)	11036-1662	1
HOUSING,LABEL (Ref # 13227)	13227-1001	2
COVER,ELECTRO BASE (Ref # 14025)	14025-1191	1
PLATE,IGNITION COIL (Ref # 21048)	21048-1001	2
CASE,BATTERY (Ref # 32097)	32097-1026	1
CASE,TOOL (Ref # 32098)	32098-1011	1
GRIP,FRAME (Ref # 32109)	32109-1016	1
STAY,MUFFLER,LH (Ref # 35011)	35011-1080	1
STAY,MUFFLER,RH (Ref # 35011A)	35011-1081	1
LABEL (Ref # 56030)	56030-1006	2
BOLT,HEX HEAD,6X25 (Ref # 92001)	92001-1090	1
BOLT,8X28 (Ref # 92001A)	92001-1095	3
BOLT,HEX HEAD,6MM (Ref # 92001B)	92001-137	4
SCREW,5X16,BLACK (Ref # 92009)	92009-1099	2
SCREW,PAN HEAD,5X30 (Ref # 92009A)	92009-1100	2
WASHER,5.2X16X16X1.2T (Ref # 92022)	25009-004	4
WASHER PLAIN (Ref # 92022A)	92022-024	2
WASHER,PLAIN,7MM (Ref # 92022B)	92022-228	2
SCREW,5.2X23X13 (Ref # 92026)	92026-1077	2
COLLAR-CLAMP (Ref # 92027)	92027-291	2
PLUG,9.5X8 (Ref # 92066)	92066-1077	1
PLUG,RUBBER (Ref # 92066A)	92066-1080	2
BAND,BATTERY (Ref # 92072)	92072-1019	1
DAMPER,BATTERY BASE (Ref # 92075)	92075-1076	1
DAMPER,BATTERY BAND (Ref # 92075A)	92075-1113	1

1983 CSR PARTS LIST

BATTERY CASE/TOOL CASE ('83 H3)

ITEM NAME	PART NUMBER	QUANTITY
DAMPER (Ref # 92075B)	92075-317	2
BOLT-UPSET,6X12 (Ref # 110)	112G0612	5
BOLT-UPSET (Ref # 110A)	112G0625	2
BOLT-SMALL-UPSET,8X22 (Ref # 114)	115B0822	2
BOLT,SMALL UPSET (Ref # 114A)	115G0835	1
SCREW PAN HEAD 6X12 (Ref # 220)	220B0612	3
NUT 6MM (Ref # 311)	311B0600	1
WASHER PLAIN 6MM (Ref # 114)	411B0600	5
WASHER SPRING 6MM (Ref # 461)	461F0600	7
WASHER SPRING 8MM (Ref # 461A)	461F0800	3