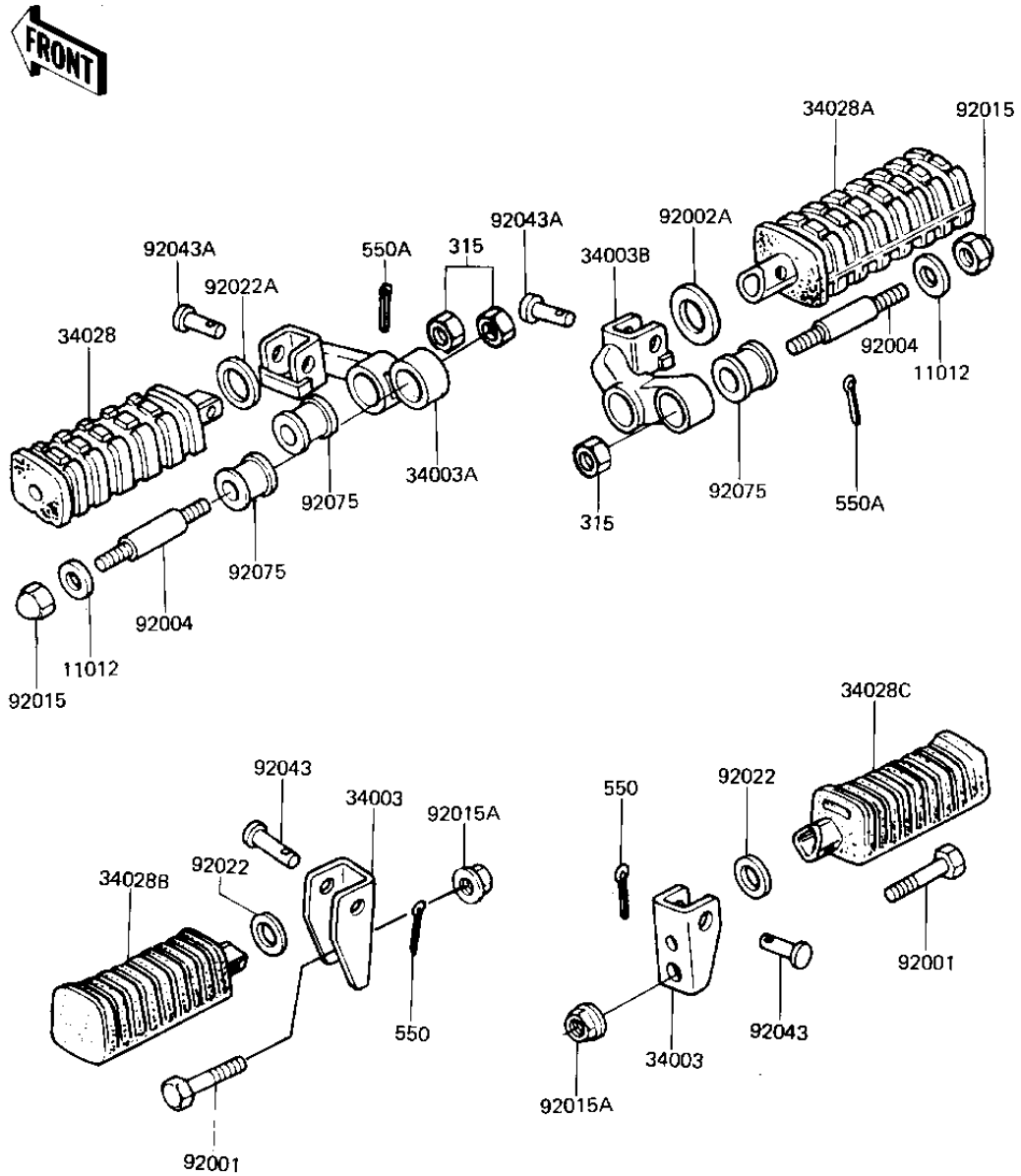


1983 CSR PARTS DIAGRAM

FOOTRESTS ('83 H3)

F2160-0003



1983 CSR PARTS LIST

FOOTRESTS ('83 H3)

ITEM NAME	PART NUMBER	QUANTITY
CAP,FOOTRESTBAR (Ref # 11012)	92102-010	4
HOLDER,REAR FOOTREST (Ref # 34003)	34003-1025	2
BRACKET,FTRST STEP LH (Ref # 34003A)	34003-1063	1
BRACKET,FTRST STEP RH (Ref # 34003B)	34003-1064	1
STEP-ASSY,FR,RH (Ref # 34028)	34028-1018	1
STEP-ASSY,FR,RH (Ref # 34028A)	34028-1018	1
STEP,RR FOOTREST,L.H (Ref # 34028B)	34028-1024	1
STEP,RR FOOTREST,R.H (Ref # 34028C)	34028-1025	1
BOLT,HEX HEAD 10X35 (Ref # 92001)	92001-1252	2
STUD,FOOTREST BAR FIT (Ref # 92004)	92004-048	4
NUT,CAP,LOCK,8MM (Ref # 92015)	92015-1133	4
NUT,FLANGED,10MM (Ref # 92015A)	92015-1428	2
WASHER-PLAIN (Ref # 92022)	92022-181	2
WASHER,PLAIN (Ref # 92022A)	92022-250	2
PIN (Ref # 92043)	92043-1464	2
PIN,FOOTREST BAR FIT (Ref # 92043A)	92043-115	2
DAMPER RUBBER,FOOTRES (Ref # 92075)	92075-293	4
NUT 10MM (Ref # 315)	315B1000	4
PIN,COTTER,2.0X12 (Ref # 550)	550D2012	2
PIN,COTTER,2.5X15 (Ref # 550A)	550D2515	2