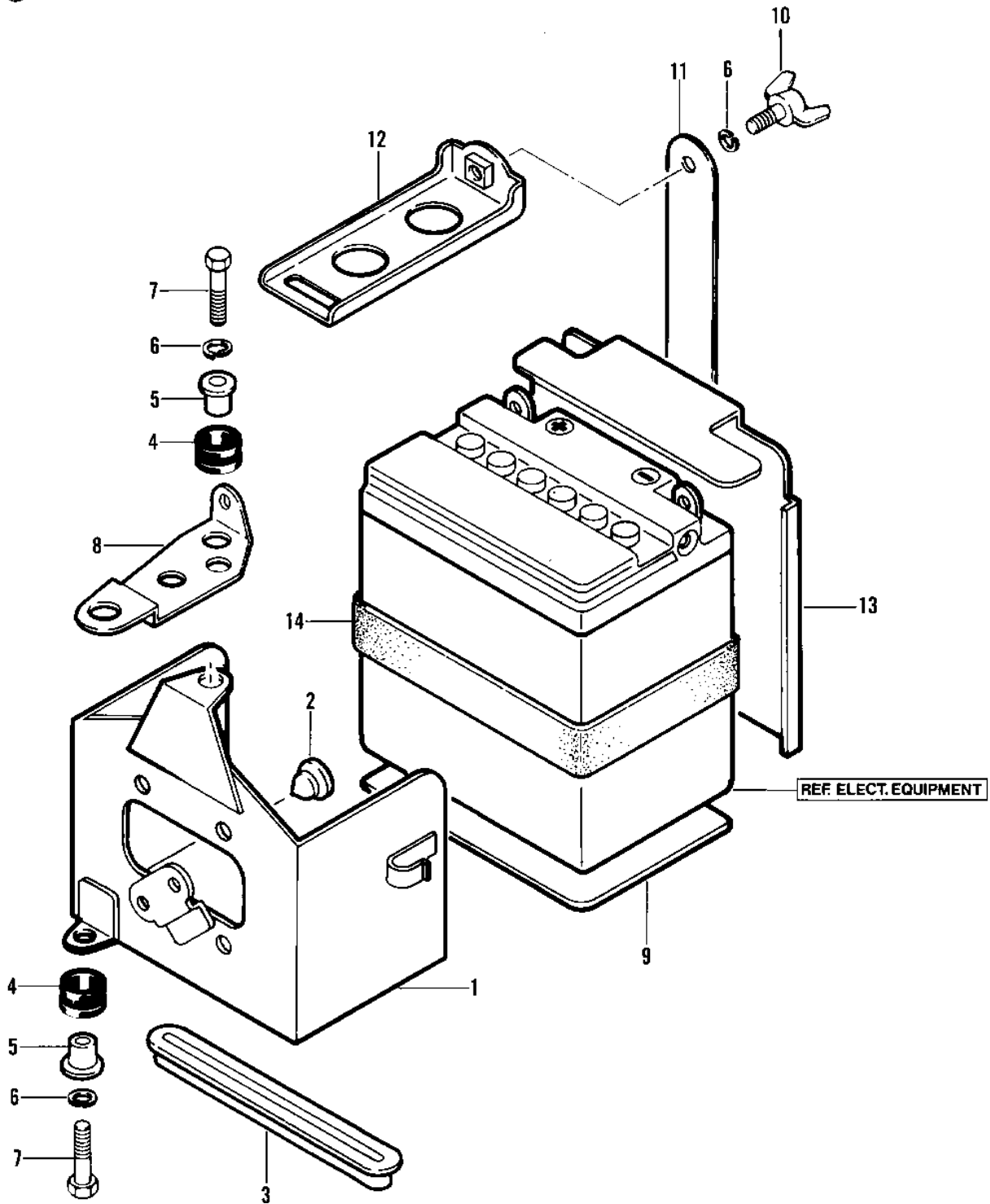


1982 KLT250 PARTS DIAGRAM

BATTERY CASE ('82 A1)



1982 KLT250 PARTS LIST

BATTERY CASE ('82 A1)

ITEM NAME	PART NUMBER	QUANTITY
CASE-BATTERY (Ref # 1)	32097-4003	1
DAMPER RUBBER (Ref # 2)	92075-078	4
DAMPER RUBBER (Ref # 3)	92075-280	1
DAMPER RUBBER (Ref # 4)	92075-277	2
COLLAR (Ref # 5)	92027-1045	2
UNAVAILABLE IN PRICE BOOK (Ref # 6)	481F0600	3
BOLT-UPSET,6X20 (Ref # 7)	112G0620	2
BRACKET (Ref # 8)	11034-4119	1
DAMPER,BATTERY CASE (Ref # 9)	92075-4019	1
BOLT,CLNR ELEMENT (Ref # 10)	92003-199	1
BAND,BATTERY (Ref # 11)	92072-4005	1
BAND,BATTERY (Ref # 12)	92072-4006	1
COVER (Ref # 13)	14025-4007	1
MAT-BATTERY SIDE (Ref # 14)	32103-023	1