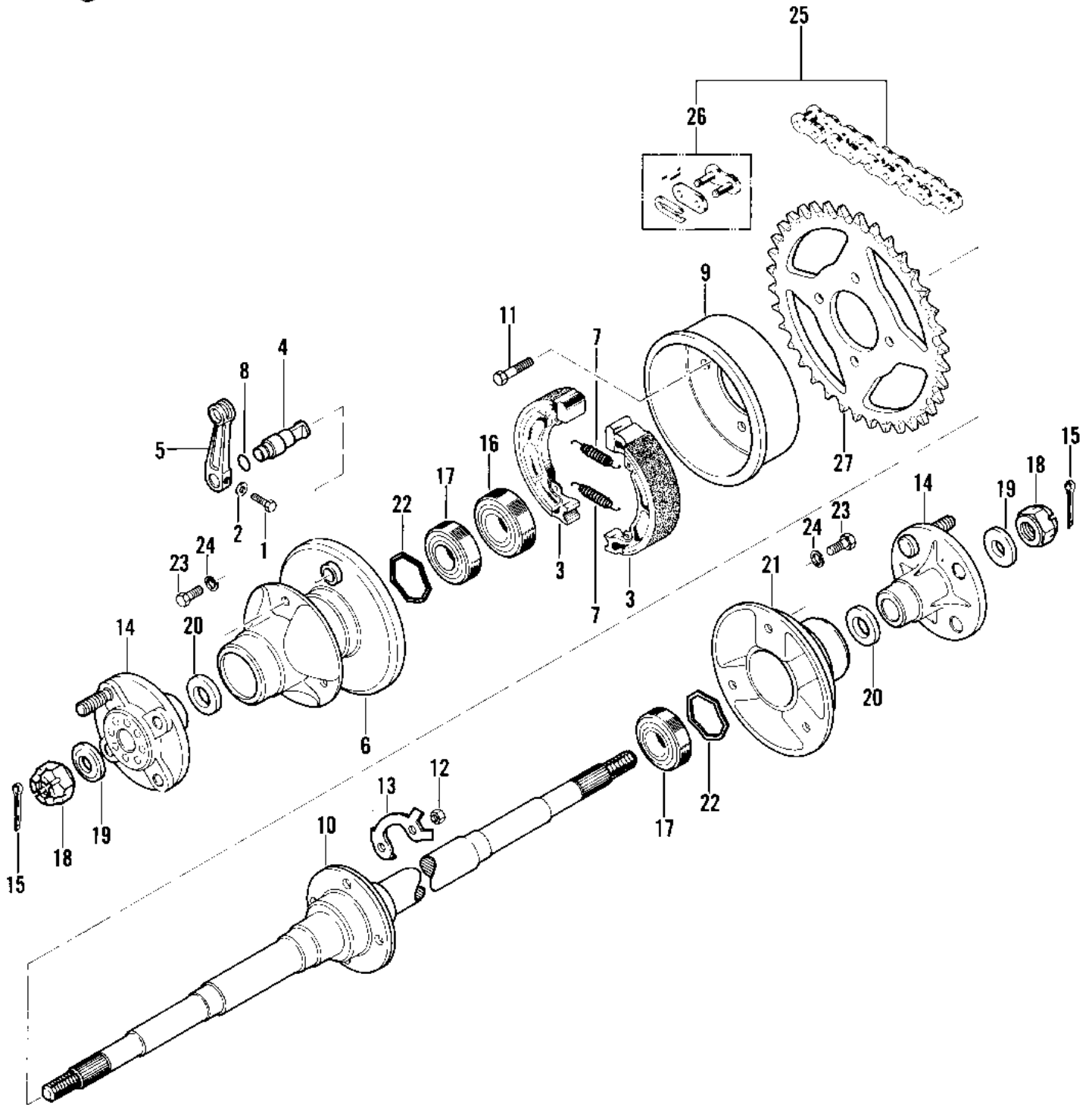


1982 KLT250 PARTS DIAGRAM

REAR AXLE/BRAKE/CHAIN ('82 A1)



—
—

1982 KLT250 PARTS LIST

REAR AXLE/BRAKE/CHAIN ('82 A1)

ITEM NAME	PART NUMBER	QUANTITY
BOLT-UPSET (Ref # 1)	112G0622	1
WASHER PLAIN 6MM (Ref # 2)	411B0600	1
SHOE-BRAKE (Ref # 3)	41048-1068	2
CAM SHAFT,BRAKE (Ref # 4)	41050-1002	1
LEVER BRAKE CAM (Ref # 5)	41053-1022	1
PANEL-REAR BRAKE (Ref # 6)	42016-4004	1
SPRING-BRAKE SHOE (Ref # 7)	42020-004	2
"O" RING,15MM (Ref # 8)	670B2015	1
DRUM,REAR (Ref # 9)	41038-4009	1
AXLE,REAR (Ref # 10)	41068-4008	1
BOLT,10X30 (Ref # 11)	92001-4017	4
NUT,10MM (Ref # 12)	92015-1429	4
WASHER (Ref # 13)	92022-4022	2
HUB (Ref # 14)	49030-4001	2
PIN COTTER 4.0X30 (Ref # 15)	550D4030	2
BEARING (Ref # 16)	601A6008UU	1
BEARING-BALL (Ref # 17)	601A6206UU	2
NUT (Ref # 18)	92015-4015	2
WASHER,STEERG STM HD (Ref # 19)	92022-230	2
WASHER (Ref # 20)	92022-4020	2
HOUSING-BEARING (Ref # 21)	41046-4005	1
SPRING,BEARING (Ref # 22)	92081-4019	2
BOLT (Ref # 23)	92001-160	6
WASHER SPRING 10MM (Ref # 24)	461F1000	6
DR CHAIN 520X98 (Ref # 25)	92057-106	1
CHAIN JOINT 520 (Ref # 26)	92058-1001	1
SPROCKET-HUB,50T (Ref # 27)	42041-4008	1