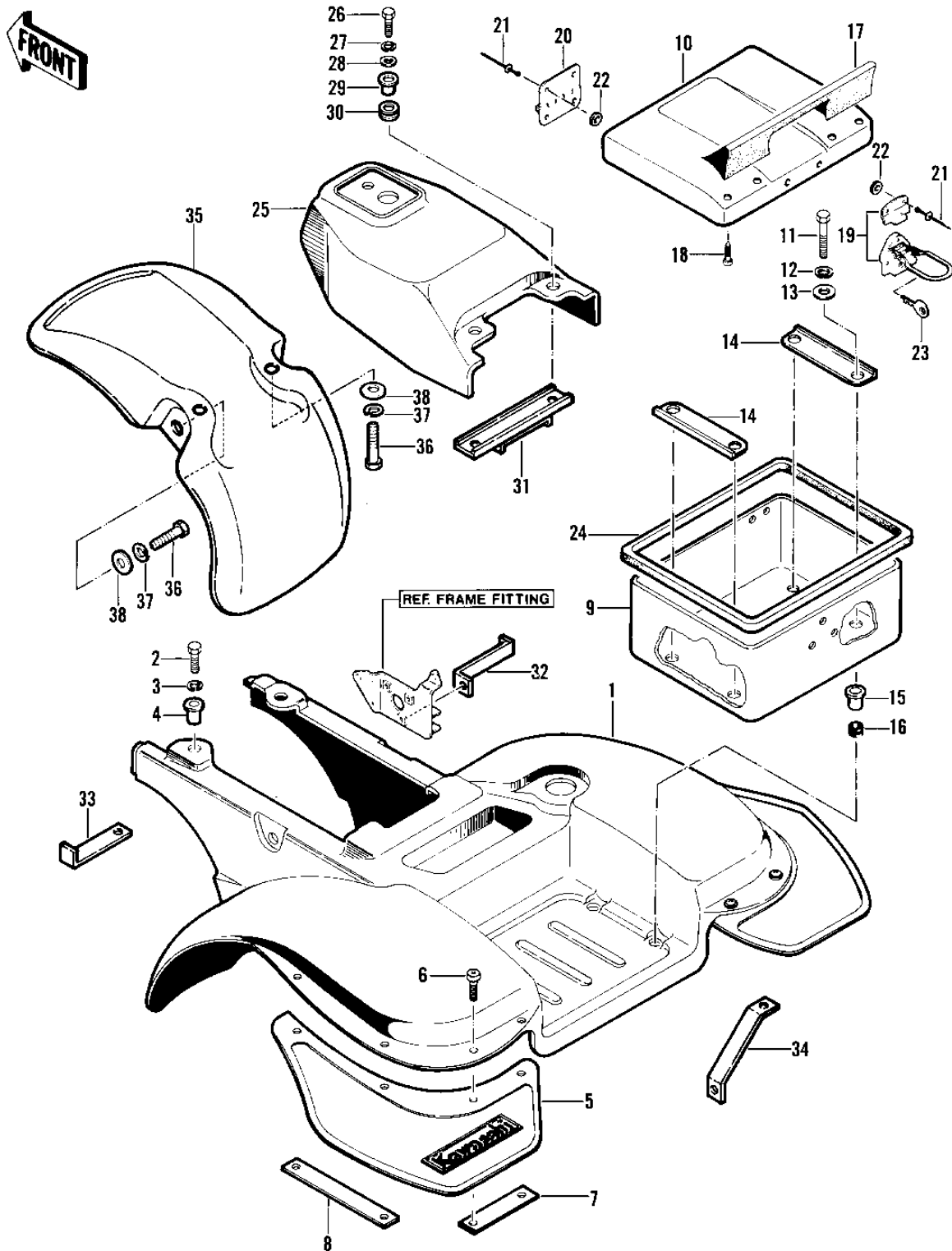


1982 KLT250 PARTS DIAGRAM

FENDERS/COVER/TRUNK (82 A1)



1982 KLT250 PARTS LIST

FENDERS/COVER/TRUNK ('82 A1)

ITEM NAME	PART NUMBER	QUANTITY
FENDER-RR,L.GREEN (Ref # 1)	35022-4003-6W	1
FENDER-RR,BLACK (Ref # 1)	35022-4003-6D	1
BOLT-UPSET 6X14 (Ref # 2)	112B0614	2
WASHER SPRING 6MM (Ref # 3)	461F0600	2
COLLAR,L=5 (Ref # 4)	92027-4020	2
FLAP (Ref # 5)	35019-4004	2
SCREW,6X20 (Ref # 6)	92009-1289	8
BRACKET,FLAP (Ref # 7)	11034-4062	2
BRACKET,FLAP (Ref # 8)	11034-4063	2
CASE-TRUNK (Ref # 9)	32099-4006	1
COVER,TRUNK,LM GREEN (Ref # 10)	14025-4016-6W	1
COVER,TRUNK,BLACK (Ref # 10)	14025-4016-6D	1
BOLT,8X40 (Ref # 11)	115G0840	4
WASHER SPRING 8MM (Ref # 12)	461F0800	4
WASHER PLAIN 8MM (Ref # 13)	410B0800	4
PLATE (Ref # 14)	13169-4017	2
COLLAR,FUEL TANK FITT (Ref # 15)	92027-1134	4
DAMPER RUBB TANK FRNT (Ref # 16)	92075-013	4
GRIP (Ref # 17)	46075-4002	1
SCREW-.125X.50 (Ref # 18)	92009-4010	4
LATCH (Ref # 19)	49031-4002	1
HINGE (Ref # 20)	53009-4001	2
RIVET (Ref # 21)	92039-004	13
WASHER (Ref # 22)	92022-4017	13
KEY SET-POLICE SDDLBG (Ref # 23)	27008-4001	1
SEAL-TRUNK (Ref # 24)	92093-4003	1
COVER,FR,LM GREEN (Ref # 25)	14025-4015-6W	1
COVER,FR,BLACK (Ref # 25)	14025-4015-6D	1
BOLT-UPSET (Ref # 26)	112G0625	2

1982 KLT250 PARTS LIST

FENDERS/COVER/TRUNK ('82 A1)

ITEM NAME	PART NUMBER	QUANTITY
WASHER SPRING 8MM (Ref # 27)	461F0800	2
WASHER PLAIN 8MM (Ref # 28)	411B0800	2
COLLAR (Ref # 29)	92027-194	2
DAMPER RUBBER (Ref # 30)	92075-112	2
BRACKET-SEAT (Ref # 31)	32046-4012	1
BRACE-FNDR,RH FT (Ref # 32)	35009-4002	1
BRACE-FNDR,LH FT (Ref # 33)	35009-4001	1
BRACE-FNDR,REAR (Ref # 34)	35009-4003	2
FENDER-FR,LIME GREEN (Ref # 35)	35004-4003-6W	1
FENDER-FR,BLACK (Ref # 35)	35004-4003-6D	1
BOLT-UPSET 6X14 (Ref # 36)	112B0614	4
WASHER SPRING 6MM (Ref # 37)	461F0600	4
WASHER 6.5X20X1.6T (Ref # 38)	92022-125	4