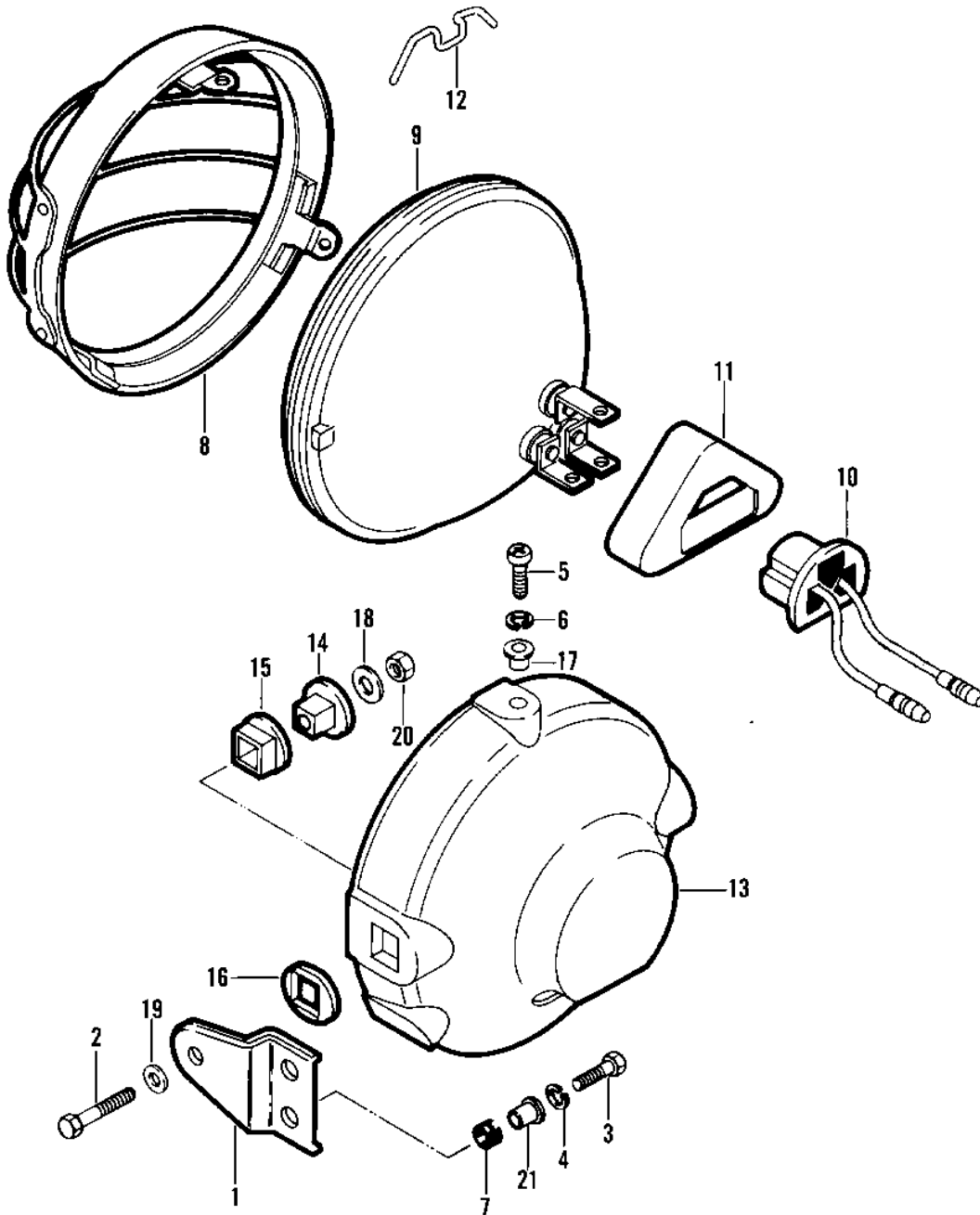


# 1982 KLT250 PARTS DIAGRAM

HEADLIGHT ('82 A1)



10\*

# 1982 KLT250 PARTS LIST

## HEADLIGHT ('82 A1)

ITEM NAME	PART NUMBER	QUANTITY
BRACKET,HEADLAMP (Ref # 1)	11034-4123-7F	2
BRACKET,HEADLAMP,EBNY (Ref # 1)	11034-4123-8G	2
BOLT-SMALL,8X32 (Ref # 2)	114N0832	2
BOLT-UPSET,6X20 (Ref # 3)	112G0620	4
WASHER SPRING 6MM (Ref # 4)	461F0600	4
SCREW PAN HEAD 5X12 (Ref # 5)	220B0512	3
WASHER SPRING 5MM (Ref # 6)	461F0500	3
DAMPER RUBBER (Ref # 7)	92075-277	4
RIM-LAMP (Ref # 8)	23006-4003	1
LENS-COMP (Ref # 9)	23007-4002	1
SOCKET-ASSY (Ref # 10)	23008-1125	1
COVER,HD LAMP SOCKET (Ref # 11)	23081-001	1
SPRING,HEAD LAMP LENS (Ref # 12)	92081-4025	3
BODY-HEADLAMP,GREEN (Ref # 13)	23005-4004-7F	1
BODY-HEADLAMP,EBONY (Ref # 13)	23005-4004-8G	1
COLLAR,HEAD LAMP (Ref # 14)	92027-1105	2
DAMPER RUBBER,HD LAMP (Ref # 15)	92075-1077	2
DAMPER RUBBER,HD LAMP (Ref # 16)	92075-1078	2
WASHER (Ref # 17)	23021-010	3
WASHER PLAIN 8MM (Ref # 18)	411B0800	2
WASHER,PLAIN,8MM (Ref # 19)	411D0800	2
NUT,LOCK,8MM (Ref # 20)	92015-1124	2
COLLAR (Ref # 21)	92027-1045	4