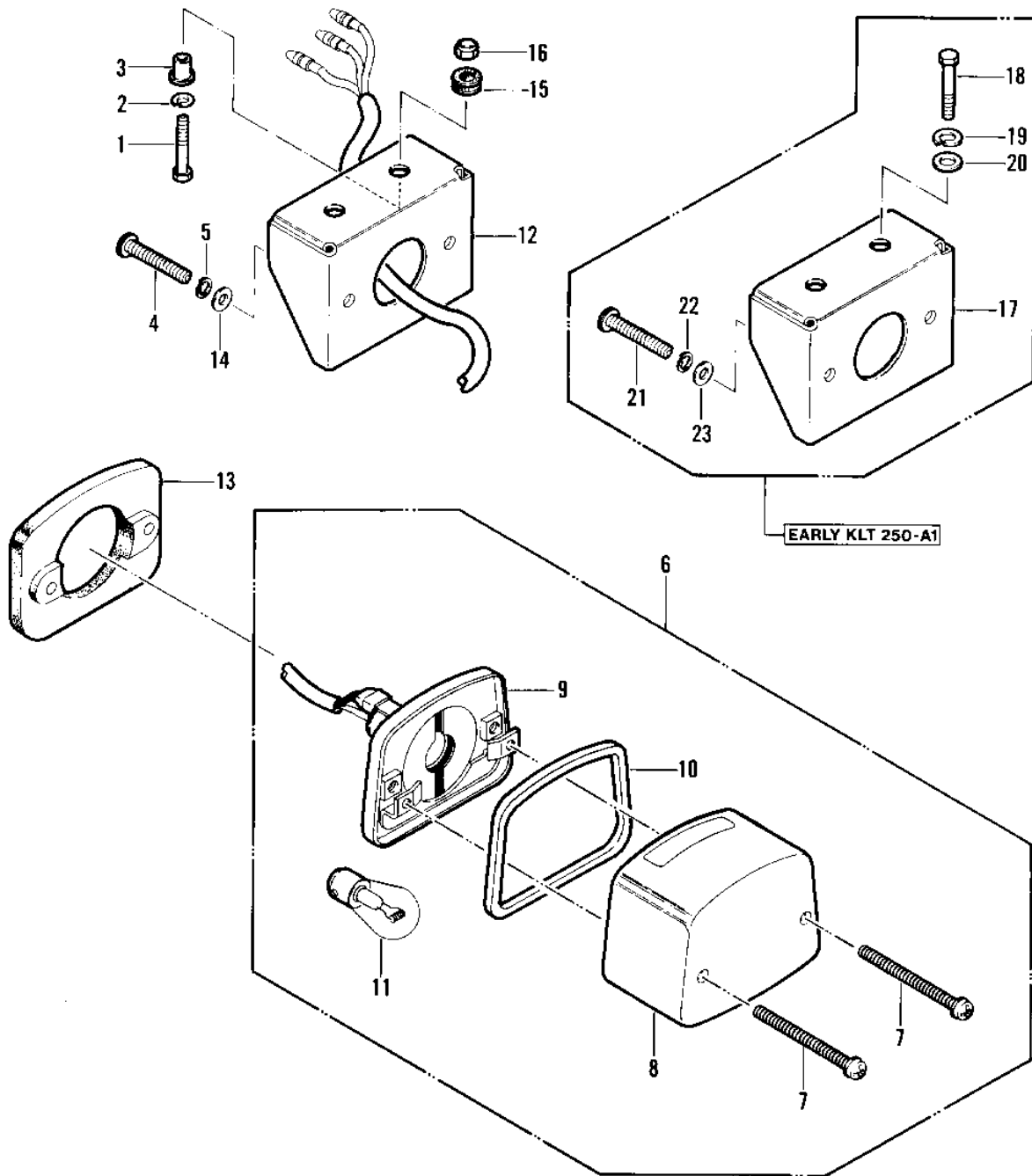


1982 KLT250 PARTS DIAGRAM

TAILLIGHT ('82 A1)



10

1982 KLT250 PARTS LIST

TAILLIGHT ('82 A1)

ITEM NAME	PART NUMBER	QUANTITY
BOLT-UPSET,6X20 (Ref # 1)	112G0620	2
WASHER SPRING 6MM (Ref # 2)	461F0600	2
COLLAR (Ref # 3)	92027-1045	2
SCREW PAN HEAD 5X18 (Ref # 4)	220B0518	2
WASHER SPRING 5MM (Ref # 5)	461F0500	2
LAMP,TAIL (Ref # 6)	23025-4001	1
SCREW-PAN-CROS (Ref # 7)	220B0330	2
LENS,TAIL LAMP (Ref # 8)	23026-040	1
CASE,TAIL LAMP (Ref # 9)	23027-044	1
GASKET,TAIL LIGHT (Ref # 10)	23028-020	1
BULB,12V 32/3CP (Ref # 11)	92069-059	1
BRACKET-TAIL LAMP (Ref # 12)	23036-4003	1
DAMPER RUBBER (Ref # 13)	92075-4014	1
WASHER PLAIN 5MM (Ref # 14)	410B0500	2
DAMPER RUBBER (Ref # 15)	92075-277	2
NUT (Ref # 16)	92019-008	2
BRKT,TAIL LAMP (Ref # 17)	23036-4002	1
BOLT-UPSET,6X12 (Ref # 18)	112G0612	2
WASHER SPRING 6MM (Ref # 19)	461F0600	2
WASHER PLAIN 6MM (Ref # 20)	411B0600	2
UNAVAILABLE IN PRICE BOOK (Ref # 21)	214B0516A	2
WASHER SPRING 5MM (Ref # 22)	461F0500	2
WASHER,PLAIN,6MM (Ref # 23)	92022-263	2