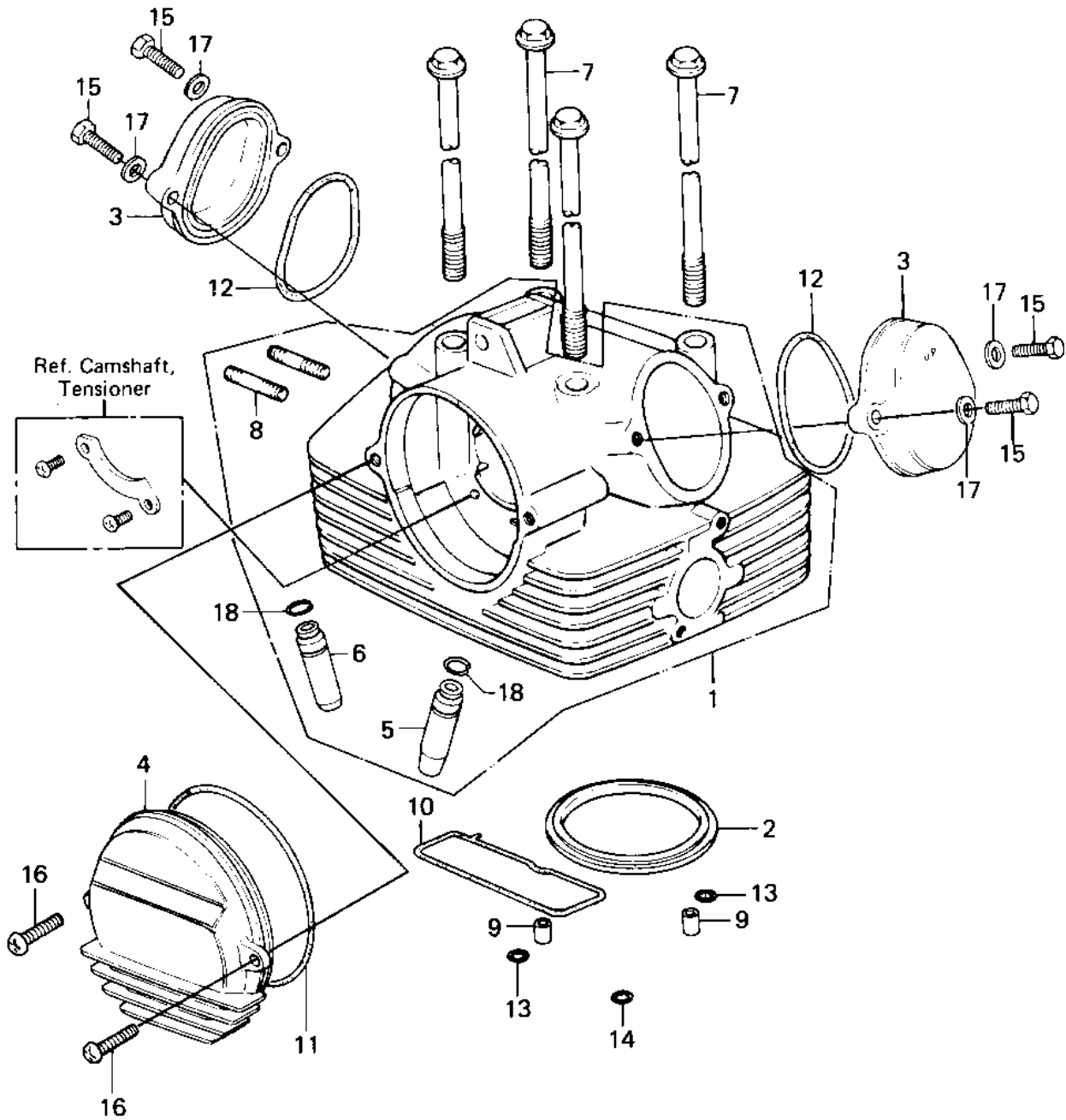


# 1983 KLT250 PARTS DIAGRAM

## CYLINDER HEAD/COVERS ('83 A2)

E1111 0104



# 1983 KLT250 PARTS LIST

## CYLINDER HEAD/COVERS ('83 A2)

ITEM NAME	PART NUMBER	QUANTITY
HEAD-ASSY-CYLINDER (Ref # 1)	11002-5030	1
GASKET,CYLINDER HEAD (Ref # 2)	11004-1002	1
CAP,ROCKER,F.BLACK (Ref # 3)	11012-1270	2
COVER,CAMSHAFT,F.BLAC (Ref # 4)	14025-1549	1
GUIDE,INLET VALVE (Ref # 5)	12013-009	1
GUIDE,EXHAUST VALVE (Ref # 6)	49002-1002	1
BOLT,8X233 (Ref # 7)	92003-220	4
STUD,8X30 (Ref # 8)	92004-1069	2
PIN,DOWEL,10X8.2X14 (Ref # 9)	92043-1037	2
"O" RING (Ref # 10)	92055-105	1
"O" RING,99M/M (Ref # 11)	92055-107	1
"O" RING,53.5MM (Ref # 12)	92055-112	2
RING-O,10MM (Ref # 13)	92055-1149	2
O RING,10MM (Ref # 14)	92055-1150	1
BOLT-UPSET (Ref # 15)	112G0625	4
SCREW PAN HEAD 6X16 (Ref # 16)	220B0616	2
WASHER PLAIN 6MM (Ref # 17)	411B0600	4
CIRCLIP-VALVE (Ref # 18)	92036-023	2