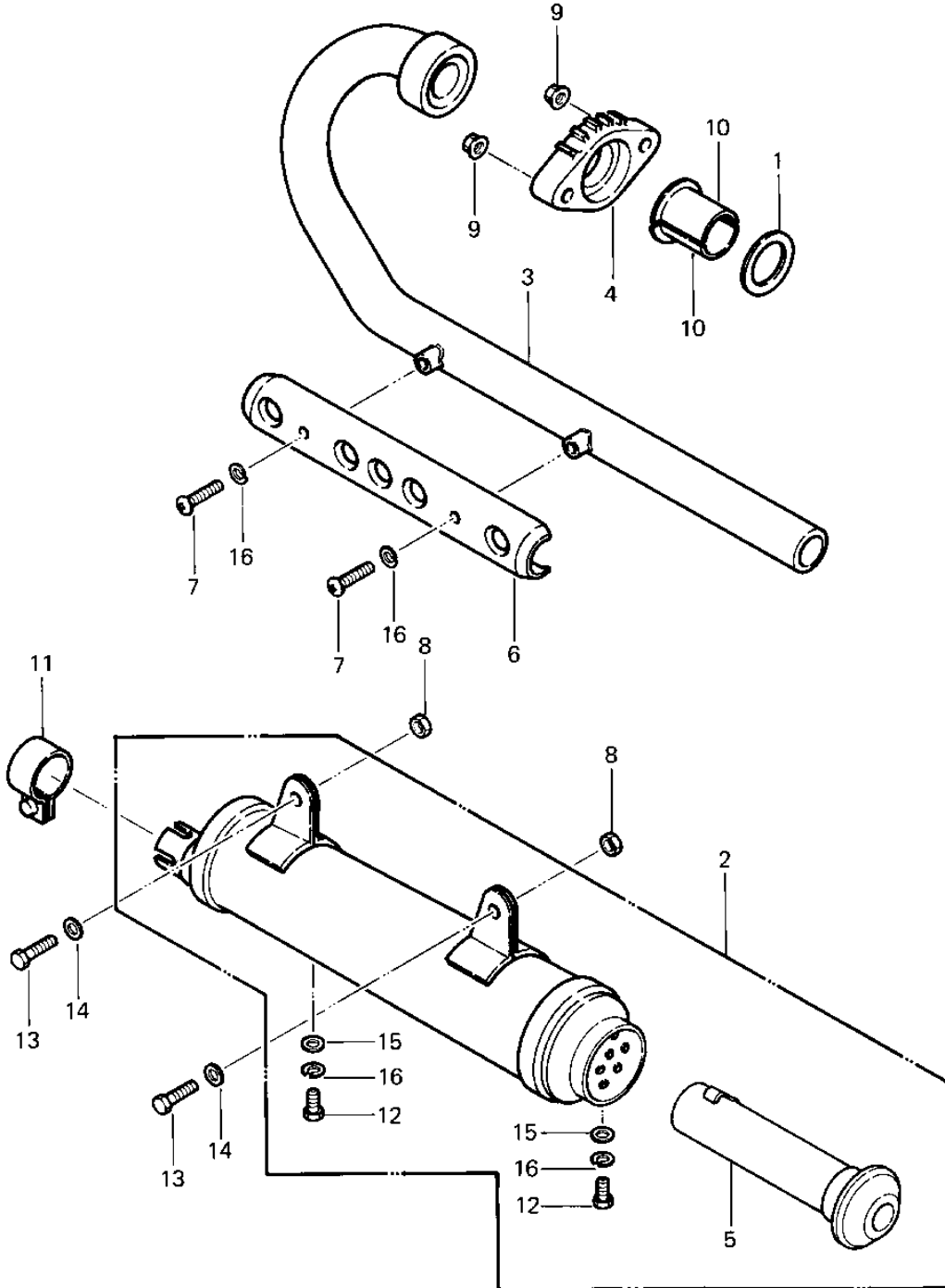


1983 KLT250 PARTS DIAGRAM

MUFFLER ('83 A2)



10.

1983 KLT250 PARTS LIST

MUFFLER ('83 A2)

ITEM NAME	PART NUMBER	QUANTITY
GASKET,EXHAUST PIPE H (Ref # 1)	11009-1866	1
MUFFLER (Ref # 2)	18001-1452	1
MUFFLER (Ref # 2)	18001-1452	1
PIPE-EXHAUST (Ref # 3)	18049-1153	1
HOLDER EXHAUST PIPE (Ref # 4)	18069-1014	1
BAFFLE-PIPE MUFFLER (Ref # 5)	49099-1223	1
COVER-EXHAUST PIPE,BL (Ref # 6)	49107-1004	1
SCREW (Ref # 7)	92009-1054	2
NUT,LOCK,8MM (Ref # 8)	92015-1124	2
NUT-8MM (Ref # 9)	92015-1143	2
COLLAR,EXHAUST PIPE (Ref # 10)	92027-264	2
CLAMP,MUFFLER CONNECT (Ref # 11)	92037-1115	1
BOLT-UPSET,6X12 (Ref # 12)	112G0612	2
BOLT,8X20 (Ref # 13)	115G0820	2
WASHER PLAIN 8MM (Ref # 14)	410B0800	2
WASHER PLAIN 6MM (Ref # 15)	411B0600	2
WASHER SPRING 6MM (Ref # 16)	461F0600	4