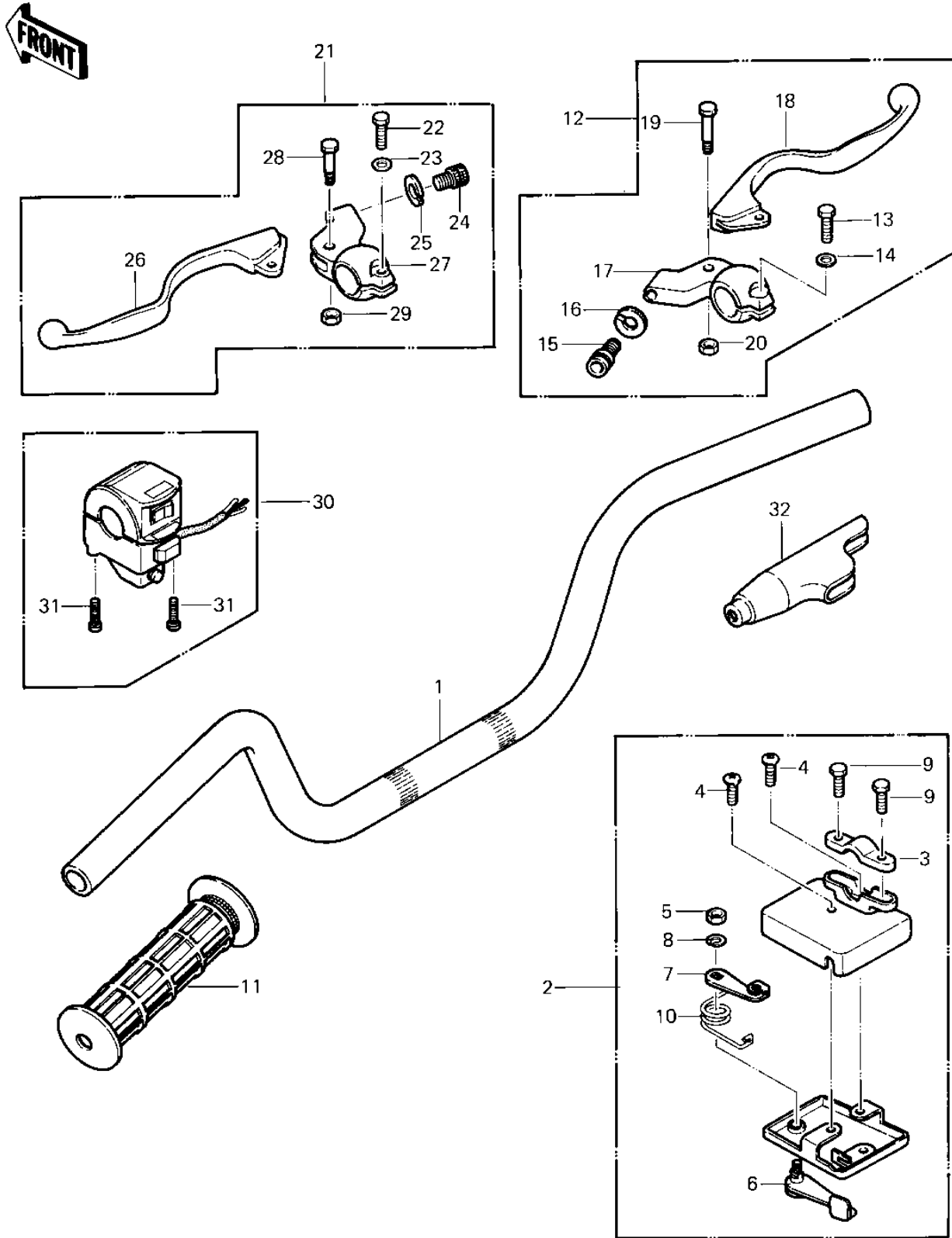


# 1983 KLT250 PARTS DIAGRAM

HANDLEBAR ('83 A2)



# 1983 KLT250 PARTS LIST

## HANDLEBAR ('83 A2)

| ITEM NAME                        | PART NUMBER  | QUANTITY |
|----------------------------------|--------------|----------|
| HANDLEBAR (Ref # 1)              | 46003-4004   | 1        |
| LEVER-ASSY-THROTTLE (Ref # 2)    | 39074-4001   | 1        |
| HOLDER,THROTTLE LEVER (Ref # 3)  | 13091-4002   | 1        |
| SCREW PAN HEAD 6X10 (Ref # 4)    | 220B0610     | 2        |
| NUT 6MM (Ref # 5)                | 311B0600     | 1        |
| LEVER THROTTLE OUTER (Ref # 6)   | 39075-4001   | 1        |
| LEVER THROTTLE INNER (Ref # 7)   | 39075-4002   | 1        |
| WASHER SPRING 6MM (Ref # 8)      | 461F0600     | 1        |
| BOLT HEX HEAD (Ref # 9)          | 92001-4011   | 2        |
| SPRING RETURN (Ref # 10)         | 92081-4007   | 1        |
| GRIP,RH (Ref # 11)               | 46075-4003   | 2        |
| LEVER ASSY,FRONT BRK (Ref # 12)  | 46076-1010   | 1        |
| BOLT HEX HEAD 6X25 (Ref # 13)    | 110N0625     | 1        |
| WASHER PLAIN 6MM (Ref # 14)      | 410B0600     | 1        |
| SCREW CABLE ADJUST (Ref # 15)    | 46055-003    | 1        |
| NUT-LOCK (Ref # 16)              | 46056-005    | 1        |
| HOLDER,FR LEVER,F.BLK (Ref # 17) | 46060-011-21 | 1        |
| LEVER,FRONT BRAKE (Ref # 18)     | 46092-1014   | 1        |
| BOLT,HEX HEAD,5X22 (Ref # 19)    | 92007-046    | 1        |
| NUT-LOCK,5MM (Ref # 20)          | 92019-014    | 1        |
| LEVER ASSY,CLUTCH (Ref # 21)     | 46076-1011   | 1        |
| BOLT HEX HEAD 6X25 (Ref # 22)    | 110N0625     | 1        |
| WASHER PLAIN 6MM (Ref # 23)      | 410B0600     | 1        |
| SCREW CABLE ADJUST (Ref # 24)    | 46055-003    | 1        |
| NUT-LOCK (Ref # 25)              | 46056-005    | 1        |
| LEVER,CLUTCH (Ref # 26)          | 46092-1015   | 1        |
| HOLDER,CL LEVER,F.BLK (Ref # 27) | 46094-015-21 | 1        |
| BOLT,HEX HEAD,5X22 (Ref # 28)    | 92007-046    | 1        |
| NUT-LOCK,5MM (Ref # 29)          | 92019-014    | 1        |