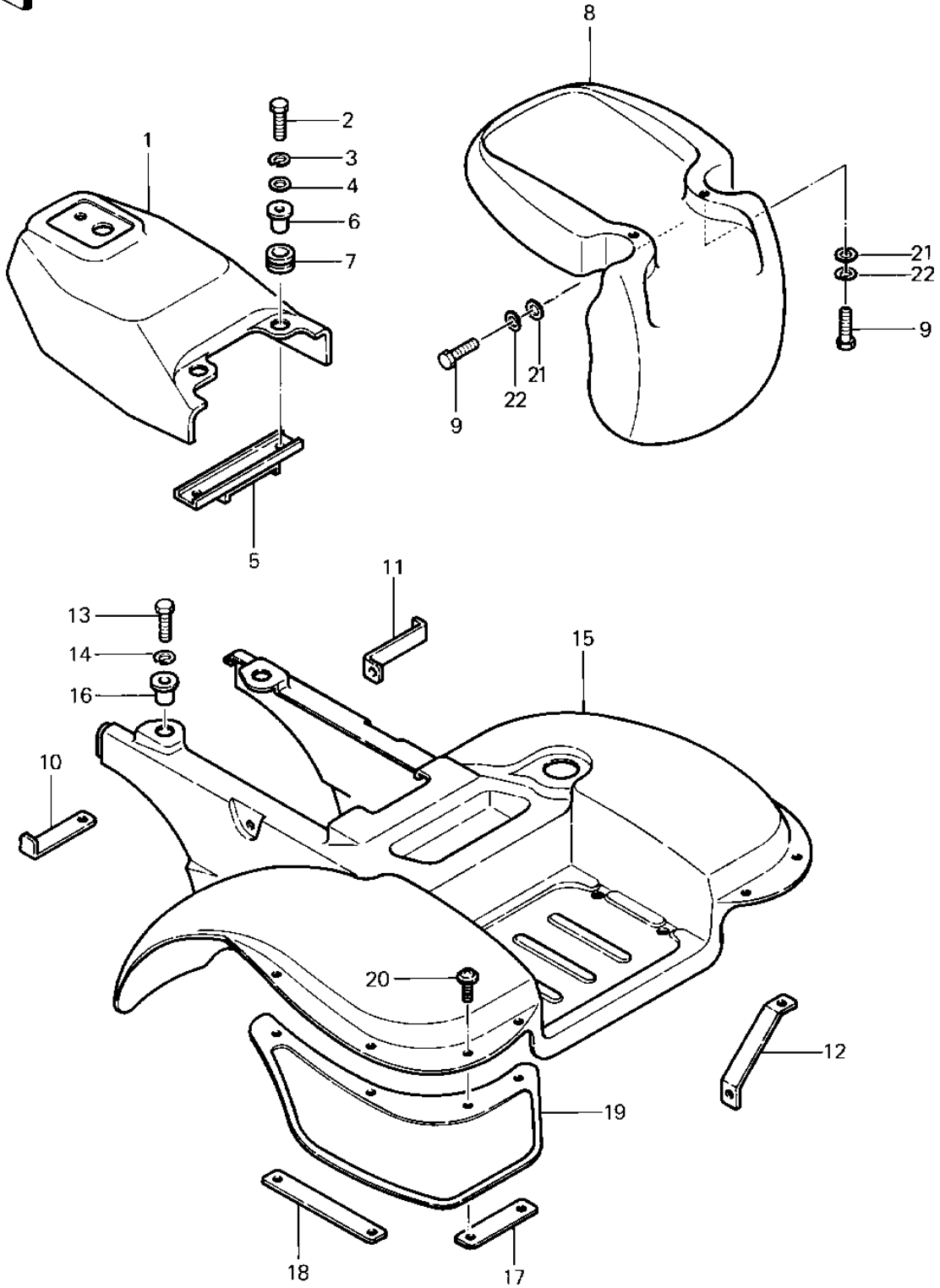


1983 KLT250 PARTS DIAGRAM

FENDERS/COVER ('83 A2)



1983 KLT250 PARTS LIST

FENDERS/COVER ('83 A2)

ITEM NAME	PART NUMBER	QUANTITY
COVER,FR,BLACK (Ref # 1)	14025-4015-6D	1
COVER,FR,RED (Ref # 1)	14025-4015-8S	1
BOLT-UPSET (Ref # 2)	112G0625	2
WASHER SPRING 6MM (Ref # 3)	461F0600	2
WASHER PLAIN 6MM (Ref # 4)	411B0600	2
BRACKET-SEAT (Ref # 5)	32046-4012	1
COLLAR (Ref # 6)	92027-194	2
DAMPER RUBBER (Ref # 7)	92075-112	2
FENDER-FR,BLACK (Ref # 8)	35004-4003-6D	1
FENDER-FR,RED (Ref # 8)	35004-4003-8S	1
BOLT-UPSET 6X14 (Ref # 9)	112B0614	4
BRACE-FNDR,LH FT (Ref # 10)	35009-4001	1
BRACE-FNDR,RH FT (Ref # 11)	35009-4002	1
BRACE-FNDR,REAR (Ref # 1)	35009-4003	2
BOLT-UPSET 6X14 (Ref # 13)	112B0614	2
WASHER SPRING 6MM (Ref # 14)	461F0600	2
FENDER-RR,BLACK (Ref # 15)	35022-4003-6D	1
FENDER-RR,RED (Ref # 15)	35022-4003-8S	1
COLLAR,L=5 (Ref # 16)	92027-4020	2
BRACKET,FLAP (Ref # 17)	11034-4062	2
BRACKET,FLAP (Ref # 18)	11034-4063	2
FLAP (Ref # 19)	35019-4004	2
SCREW,6X20 (Ref # 20)	92009-1289	8
WASHER 6.5X20X1.6T (Ref # 21)	92022-125	4
WASHER SPRING 6MM (Ref # 22)	461F0600	4