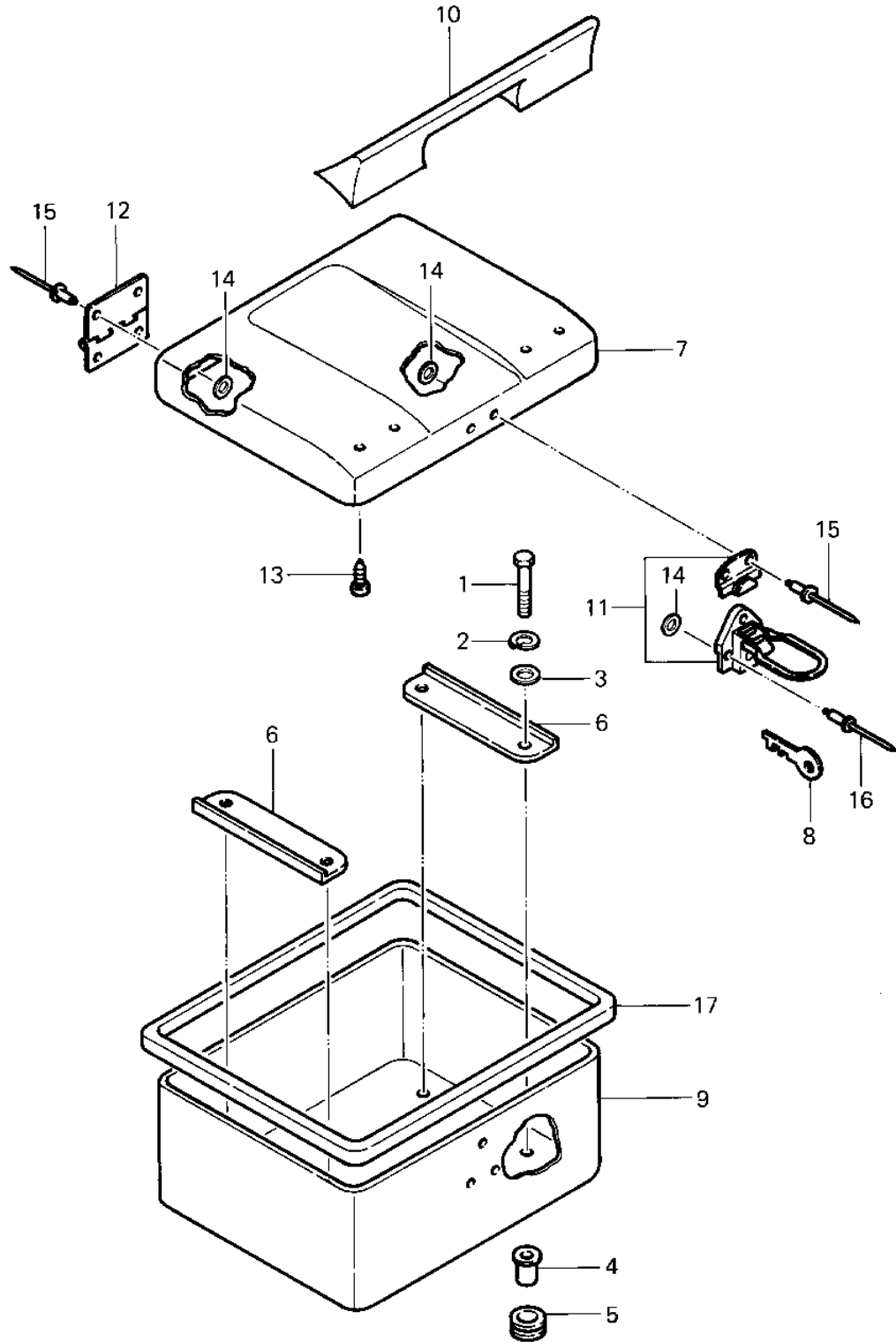


1983 KLT250 PARTS DIAGRAM

TRUNK ('83 A2)



1983 KLT250 PARTS LIST

TRUNK ('83 A2)

ITEM NAME	PART NUMBER	QUANTITY
BOLT,8X40 (Ref # 1)	115G0840	4
WASHER SPRING 8MM (Ref # 2)	461F0800	4
WASHER PLAIN 8MM (Ref # 3)	410B0800	4
COLLAR,FUEL TANK FITT (Ref # 4)	92027-1134	4
DAMPER RUBB TANK FRNT (Ref # 5)	92075-013	4
PLATE (Ref # 6)	13169-4017	2
COVER,TRUNK,BLACK (Ref # 7)	14025-4016-6D	1
KEY SET-POLICE SDDLBG (Ref # 8)	27008-4001	2
CASE, TRUNK (Ref # 9)	32099-4006	1
GRIP (Ref # 10)	46075-4002	1
LATCH (Ref # 11)	49031-4002	1
HINGE (Ref # 12)	53009-4001	2
SCREW-.125X.50 (Ref # 13)	92009-4010	4
WASHER (Ref # 14)	92022-4017	13
RIVET (Ref # 15)	92039-4006	10
RIVET (Ref # 16)	92039-4007	3
SEAL-TRUNK (Ref # 17)	92093-4003	1