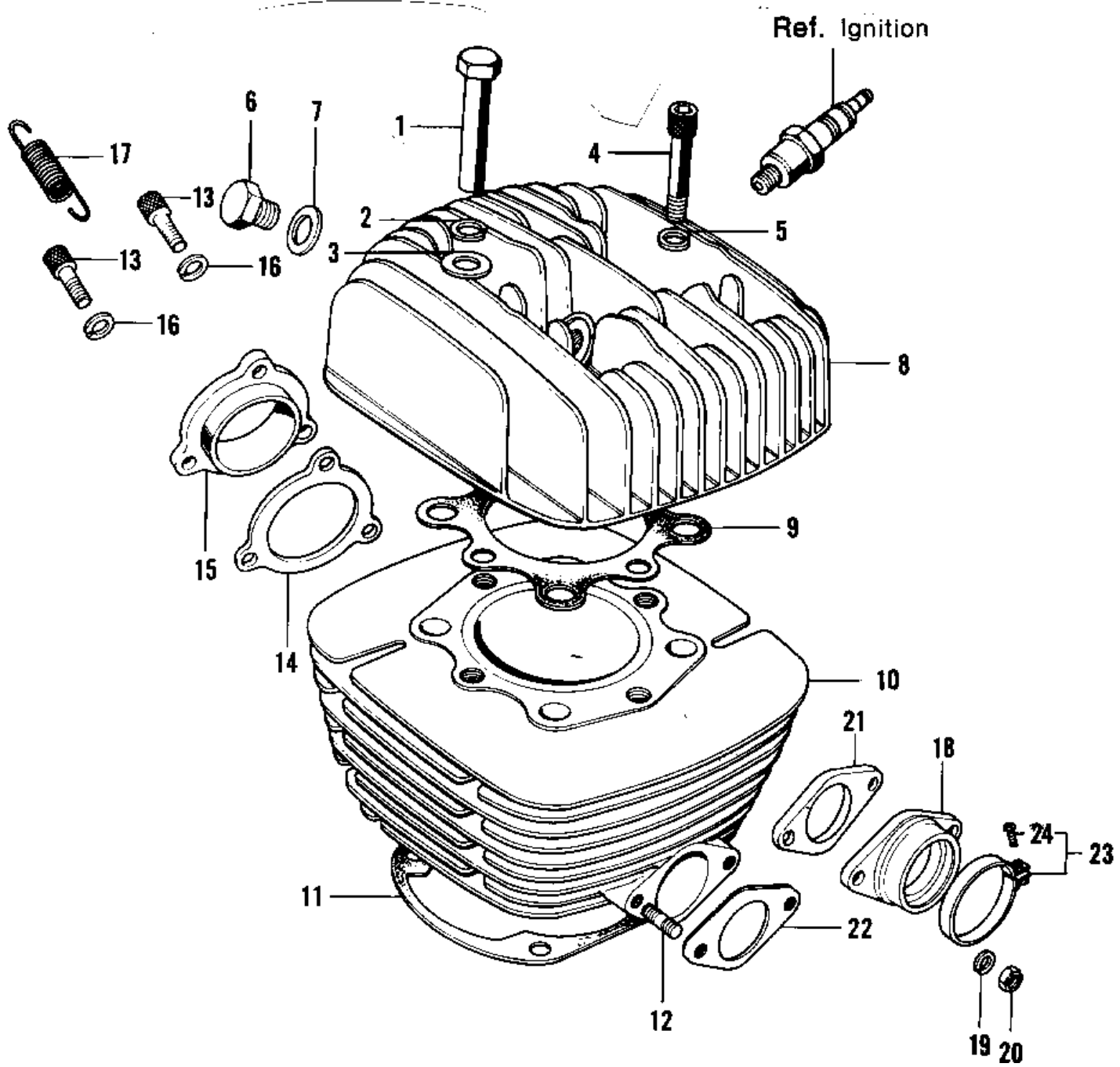


# 1973 F12MX PARTS DIAGRAM

CYLINDER HEAD/CYLINDER (73 F12MX 450)



# 1973 F12MX PARTS LIST

CYLINDER HEAD/CYLINDER ('73 F12MX 450)

| ITEM NAME                       | PART NUMBER | QUANTITY |
|---------------------------------|-------------|----------|
| NUT 10MM (Ref # 1)              | 92015-022   | 4        |
| WASHER SPRING 14MM (Ref # 2)    | 461F1400    | 4        |
| WASHER PLAIN 14MM (Ref # 3)     | 410B1400    | 4        |
| BOLT,8X50 (Ref # 4)             | 120P0850    | 4        |
| WASHER SPRING 8MM (Ref # 5)     | 461F0800    | 4        |
| WASHER SPRING 8MM (Ref # 5)     | 461F0800    | 4        |
| PLUG-CYLINDER HEAD (Ref # 6)    | 92067-005   | 1        |
| GASKET-CYL HEAD PLUG (Ref # 7)  | 92065-068   | 1        |
| CYLINDER HEAD (Ref # 8)         | 11001-082   | 1        |
| GASKET,CYLINDER HEAD (Ref # 9)  | 11004-059   | 1        |
| CYLINDER (Ref # 10)             | 11005-102   | 1        |
| GASKET,CYLINDER BASE (Ref # 11) | 11009-035   | 1        |
| STUD 8X20 (Ref # 12)            | 172G0820    | 2        |
| BOLT,6X20 (Ref # 13)            | 120P0620    | 3        |
| GASKET,EXHAUST PIPE (Ref # 14)  | 18050-005   | 1        |
| HOLDER,EXHAUST PIPE (Ref # 15)  | 18062-007   | 1        |
| WASHER SPRING 6MM (Ref # 16)    | 461F0600    | 3        |
| SPRING-CONNECTOR (Ref # 17)     | 18071-003   | 4        |
| HOLDER,CARBURETOR (Ref # 18)    | 16065-021   | 1        |
| WASHER SPRING 8MM (Ref # 19)    | 461F0800    | 2        |
| WASHER SPRING 8MM (Ref # 19)    | 461F0800    | 2        |
| NUT 8MM (Ref # 20)              | 318B0800    | 2        |
| INSULATOR,HEAT (Ref # 21)       | 16061-015   | 1        |
| GASKET,AIR INLET (Ref # 22)     | 16062-017   | 1        |
| CLAMP,CARBURETOR HLD (Ref # 23) | 92037-116   | 1        |
| SCREW-PAN-CROS (Ref # 24)       | 220B0535    | 1        |