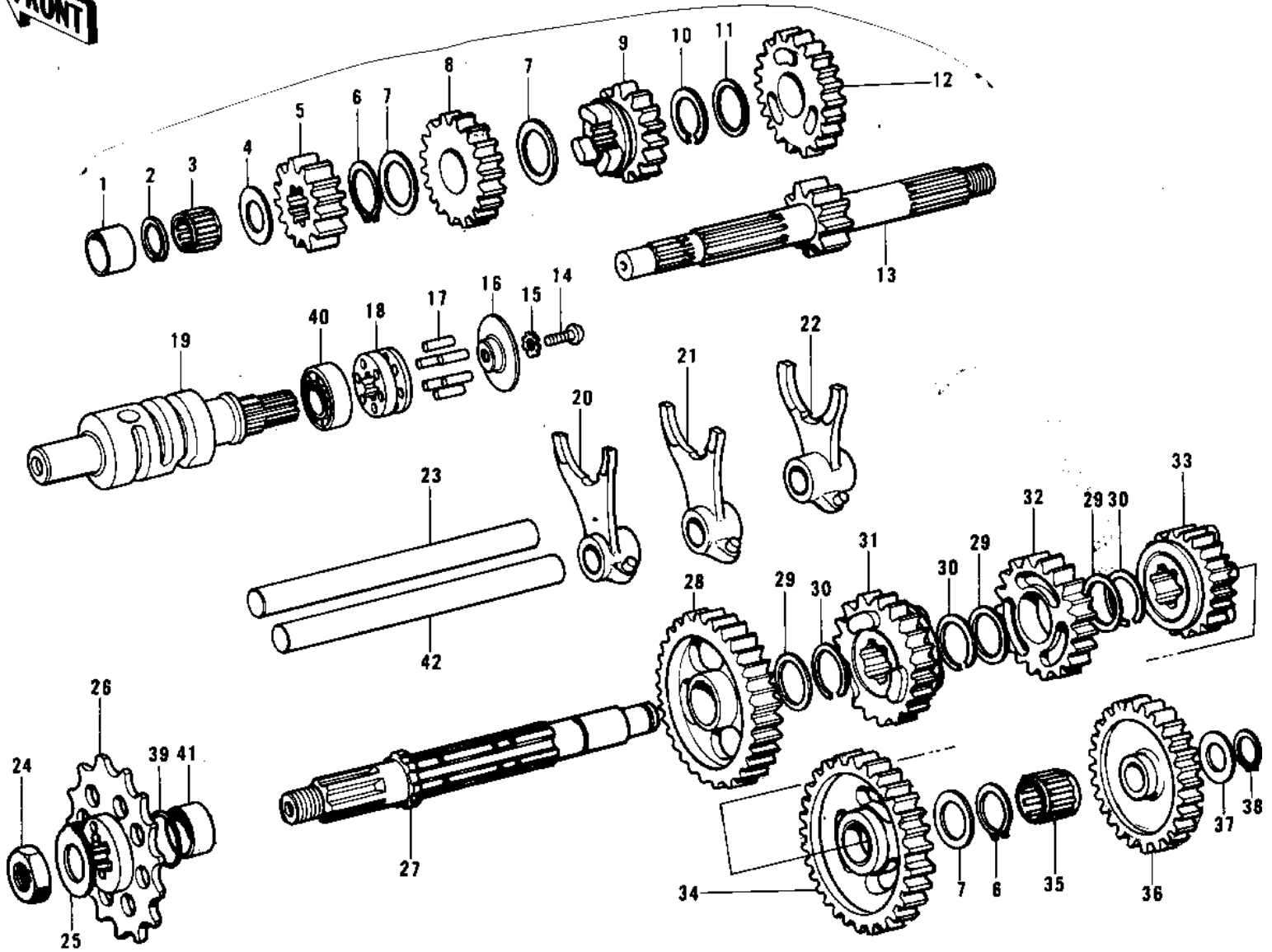


1973 F12MX PARTS DIAGRAM

TRANSMISSION/CHANGE DRUM & FORKS ('73 F)



1973 F12MX PARTS LIST

TRANSMISSION/CHANGE DRUM & FORKS ('73 F)

ITEM NAME	PART NUMBER	QUANTITY
BUSHING (Ref # 1)	92028-132	1
CIRCLIP 17MM (Ref # 2)	92033-009	1
BEARING,BALL,KT17231 (Ref # 3)	92046-035	1
WASHER,17.3X28X1.0 (Ref # 4)	92022-255	1
2ND GEAR,DRIVE SHAFT (Ref # 5)	13130-035	1
CIRCLIP,19MM (Ref # 6)	480J1900	2
WASHER (Ref # 7)	92022-252	3
4TH GEAR,DRIVE SHAFT (Ref # 8)	13134-019	1
3RD GEAR,DRIVE SHAFT (Ref # 9)	13132-034	1
CIRCLIP (Ref # 10)	92033-027	1
WASHER (Ref # 11)	92022-254	1
TOP GEAR,DRIVE SHAFT (Ref # 12)	13136-045	1
SHAFT,DRIVE (Ref # 13)	13127-044	1
SCREW (Ref # 14)	92011-031	1
WASHER LOCK 6MM (Ref # 15)	464H0600	1
HOLDER,CHANGE DRUM (Ref # 16)	13142-014	1
PIN,CHANG DRUM (Ref # 17)	92042-029	6
DISC,CHNG DRUM OPRTN (Ref # 18)	13145-003	1
DRUM,GEAR CHANGE (Ref # 19)	13141-037	1
FORK,SELECTOR (Ref # 20)	13140-055	1
FORK,SELECTOR (Ref # 21)	13140-056	1
FORK,SELECTOR (Ref # 22)	13140-057	1
ROD,CLUTCH RELEASE (Ref # 23)	13209-012	1
NUT 18MM (Ref # 24)	92015-019	1
WASHER,LOCK,18MM (Ref # 25)	92024-067	1
ENGINE SPROCKET 15T (Ref # 26)	13144-050	1
ENGINE SPROCKET 14T (Ref # 26)	13144-051	1
2ND GEAR,OUTPUT SHAF (Ref # 28)	13131-042	1
WASHER (Ref # 29)	92022-253	3

1973 F12MX PARTS LIST

TRANSMISSION/CHANGE DRUM & FORKS (73 F)

ITEM NAME	PART NUMBER	QUANTITY
CIRCLIP (Ref # 30)	92033-026	3
4TH GEAR,OUTPUT SHAF (Ref # 31)	13135-023	1
3RD GEAR,OUTPUT SHAF (Ref # 32)	13133-034	1
TOP GEAR,OUTPUT SHAF (Ref # 33)	13137-028	1
LOW GEAR,OUTPUT SHAF (Ref # 34)	13129-049	1
BEARING-NEEDLE,KT202 (Ref # 35)	92046-1170	1
IDLE GEAR (Ref # 36)	13073-010	1
WASHER-THRUST (Ref # 37)	92022-197	1
CIRCLIP 16MM (Ref # 38)	480J1600	1
"O" RING (Ref # 39)	92055-035	1
BALL BEARING,#6203ZC (Ref # 40)	601B6203Z	1
COLLAR-ENG SPROKET (Ref # 41)	92027-163	1
ROD,SHIFT (Ref # 42)	13209-013	1