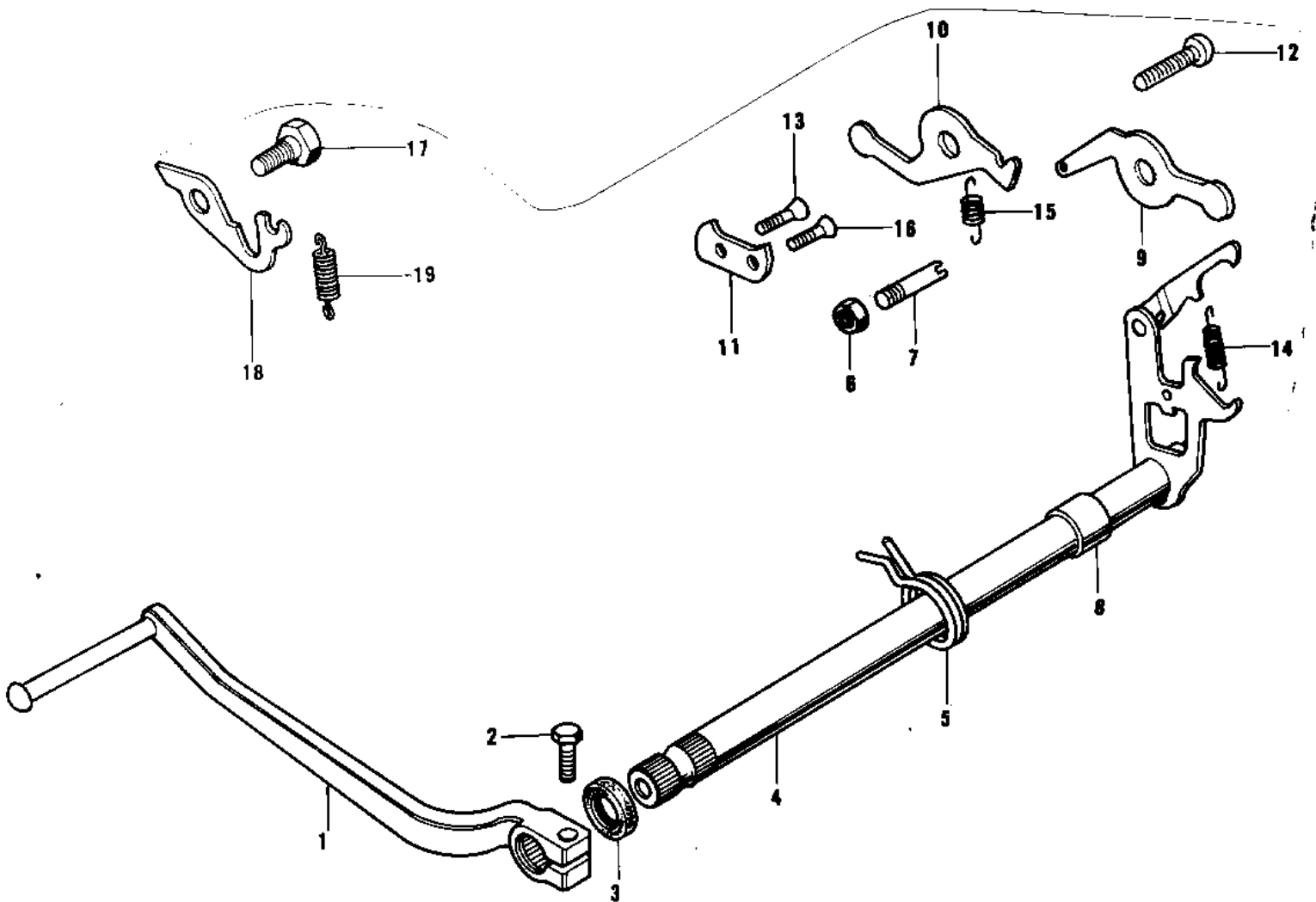


1973 F12MX PARTS DIAGRAM

GEAR CHANGE MECHANISM ('73 F12MX 450)



1973 F12MX PARTS LIST

GEAR CHANGE MECHANISM ('73 F12MX 450)

ITEM NAME	PART NUMBER	QUANTITY
PEDAL GEAR CHANGE (Ref # 1)	13156-052	1
BOLT-UPSET,6X20 (Ref # 2)	112G0620	1
BOLT-UPSET,6X20 (Ref # 2)	112G0620	AL
OIL SEAL,TB13225.5 (Ref # 3)	92051-005	1
LEVER ASSY GEAR CHNG (Ref # 4)	13161-031	1
SPRING,TENTION (Ref # 5)	92081-1129	1
NUT 8MM (Ref # 6)	312B0800	1
BOLT,RETURN SPRING (Ref # 7)	92001-1401	1
COLLAR (Ref # 8)	92027-189	1
LEVER ASSY,GEAR CHNG (Ref # 9)	13236-004	1
LEVER ASSY,GEAR CHNG (Ref # 10)	13236-005	1
PLATE,CHANGE DRUM (Ref # 11)	13169-012	1
SCREW-PAN HEAD (Ref # 12)	92011-023	1
SCREW PAN HEAD 6X14 (Ref # 13)	220B0614	1
SPRING CHANGE LEVER (Ref # 14)	92081-011	1
SPRING-COIL (Ref # 15)	92081-077	1
SCREW CNTSNK HD 6X14 (Ref # 16)	221B0614	1
BOLT,CHANGE DRUM LEV (Ref # 17)	92150-1450	1
LEVER,CHANGE DRUM (Ref # 18)	13168-027	1
SPRING,CHNG DRUM LEV (Ref # 19)	92083-023	1