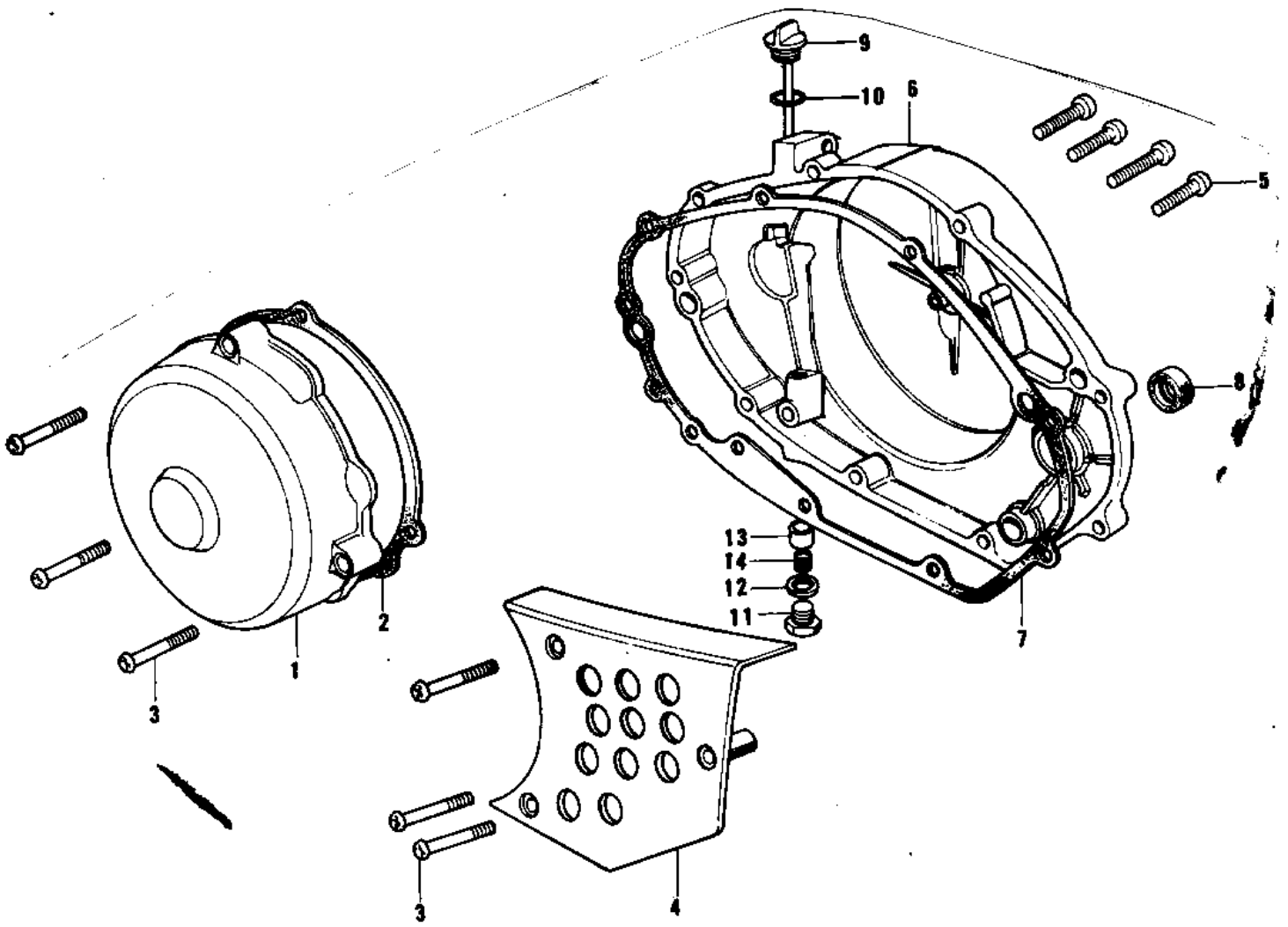


# 1973 F12MX PARTS DIAGRAM

ENGINE COVERS (73 F12MX 450)



R



# 1973 F12MX PARTS LIST

## ENGINE COVERS (73 F12MX 450)

ITEM NAME	PART NUMBER	QUANTITY
COVER,L.H ENGINE (Ref # 1)	14031-065	1
GASKET,L.H ENG COVER (Ref # 2)	14045-016	1
SCREW PAN HEAD 6X50 (Ref # 3)	220B0650	6
COVER,FRONT CHAIN (Ref # 4)	14026-017	1
SCREW PAN HEAD 6X30 (Ref # 5)	220B0630	9
COVER,R.H ENGINE (Ref # 6)	14032-087	1
GASKET,R.H ENG COTER (Ref # 7)	14046-027	1
OIL SEAL SB20285 (Ref # 8)	92049-012	1
PLUG,OIL FILLER (Ref # 9)	16115-019	1
"O" RING,20MM (Ref # 10)	670B2020	1
PLUG,OIL DRAIN (Ref # 11)	92067-014	1
GASKET,DRAIN PLUG (Ref # 12)	92065-088	1
BUSHING (Ref # 13)	92028-133	1
SPRING (Ref # 14)	92081-118	1