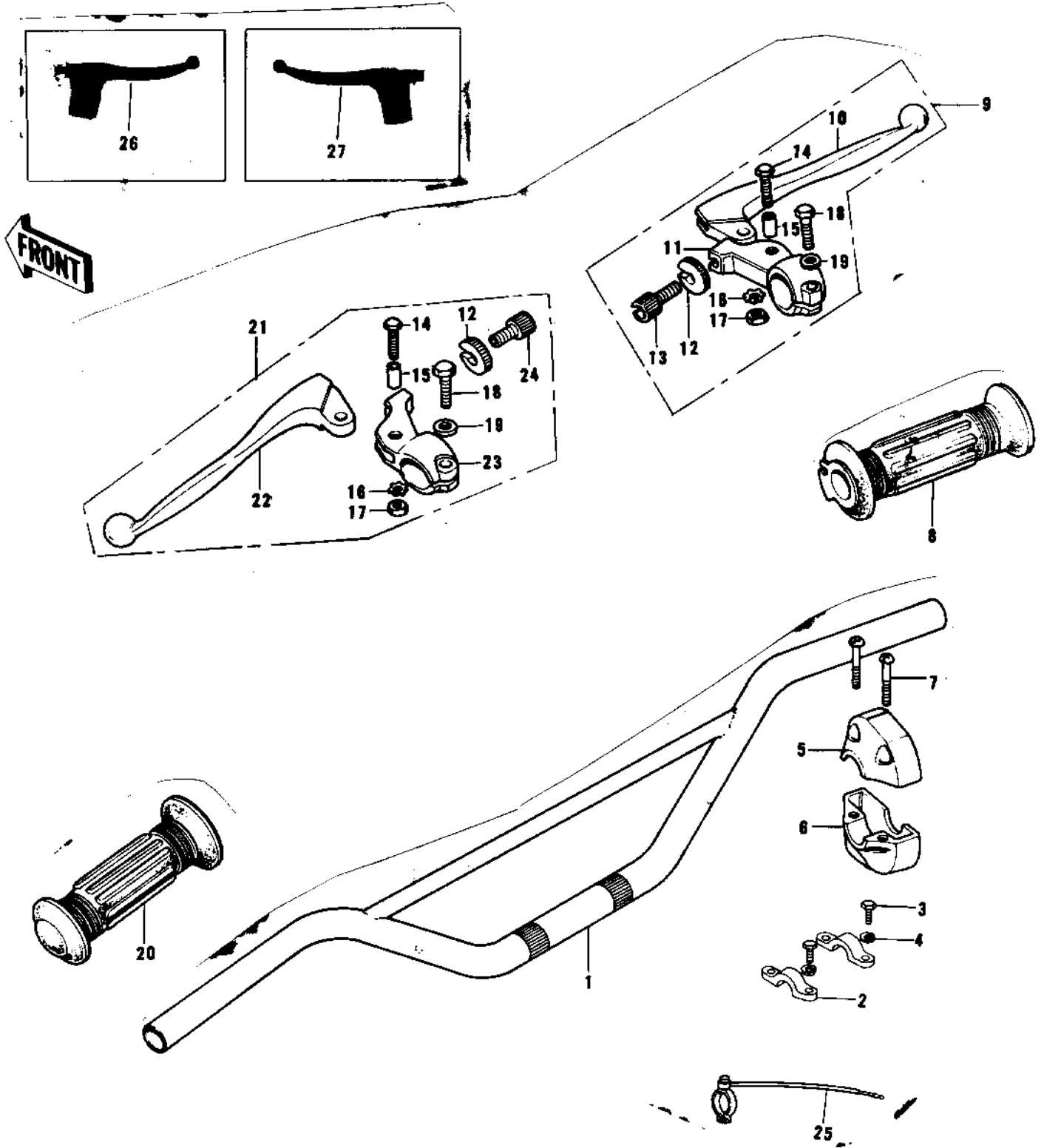


1973 F12MX PARTS DIAGRAM

HANDLEBAR (73 F12MX 450)

—
R.
—



1973 F12MX PARTS LIST

HANDLEBAR (73 F12MX 450)

ITEM NAME	PART NUMBER	QUANTITY
UNAVAILABLE IN PRICE BOOK (Ref # 1)	46004-025	1
HOLDER-HANDLEBAR (Ref # 2)	46012-008	2
BOLT 8X38 (Ref # 3)	92001-1405	4
WASHER SPRING 8MM (Ref # 4)	461F0800	4
CASE,R.H UPPER (Ref # 5)	46041-016	1
CASE,R.H UPPER (Ref # 6)	46023-014	1
SCREW PAN HEAD 5X20 (Ref # 7)	220B0520	2
GRIP,THROTTLE (Ref # 8)	46019-029	1
LEVER ASSY,FRNT BRAK (Ref # 9)	46021-019	1
LEVER FRONT BRAKE (Ref # 10)	46058-004	1
HOLDER,FR BRAKE LEVE (Ref # 11)	46060-008	1
NUT-LOCK (Ref # 12)	46056-005	2
SCREW,CABLE ADJUST (Ref # 13)	46055-010	1
BOLT HEX HEAD 5X20 (Ref # 14)	92007-020	2
COLLAR LEVER (Ref # 15)	46059-011	2
WASHER LOCK 5MM (Ref # 16)	464H0500	2
NUT 5MM (Ref # 17)	312B0500	2
BOLT HEX HEAD 6X25 (Ref # 18)	110N0625	2
WASHER PLAIN 6MM (Ref # 19)	410B0600	2
RUBBER,L.H GRIP (Ref # 20)	46075-023	1
LEVER ASSY,CLUTCH (Ref # 21)	46076-029	1
LEVER-CLUTCH (Ref # 22)	46092-015	1
HOLDER,CLUTCH LEVER (Ref # 23)	46094-010	1
SCREW CABLE ADJUST (Ref # 24)	46055-003	1
SWITCH,ENGINE STOP (Ref # 25)	46027-012	1