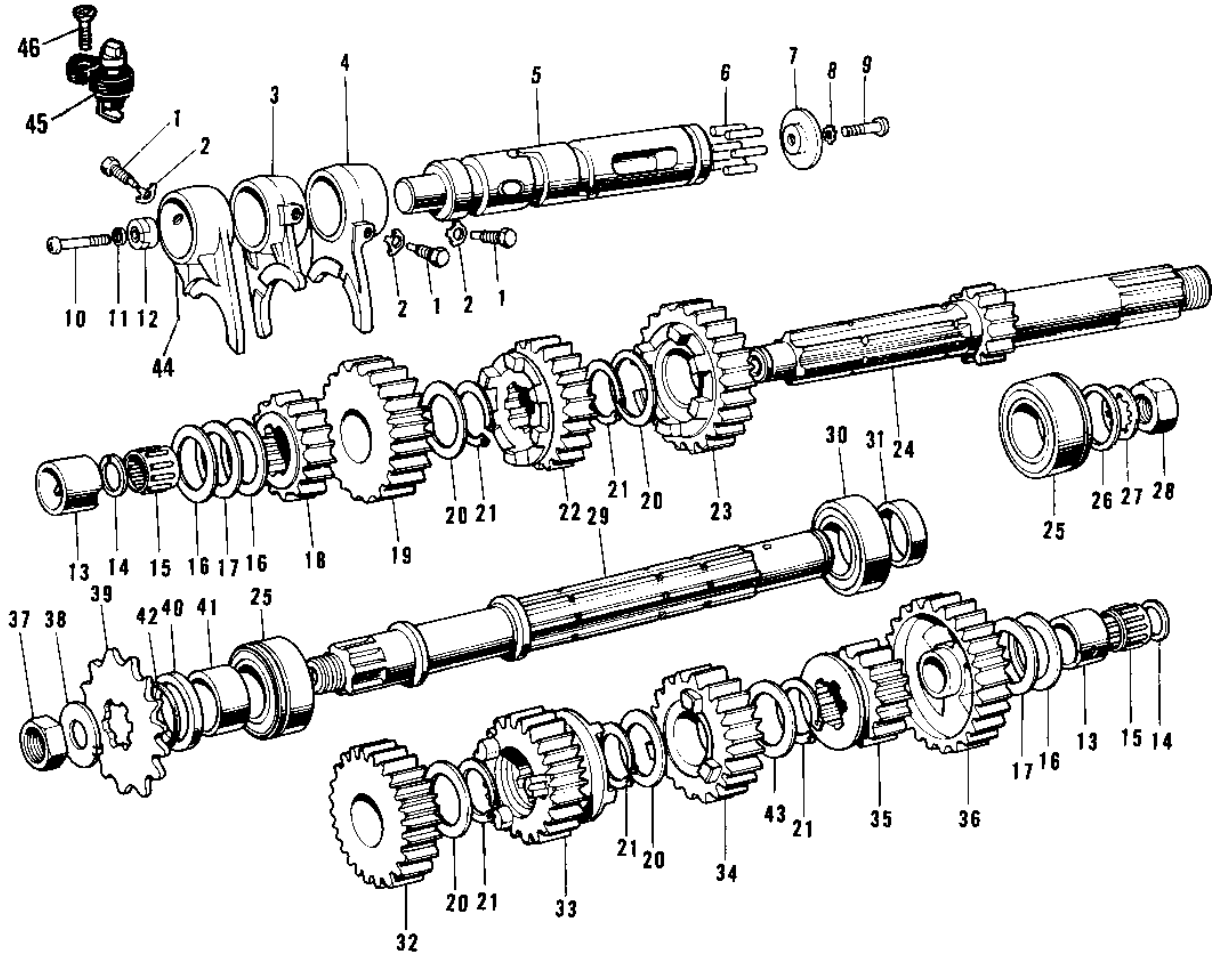


# 1969 Mach III PARTS DIAGRAM

TRANSMISSION/CHANGE DRUM ('69-72 H1/A/B)



# 1969 Mach III PARTS LIST

## TRANSMISSION/CHANGE DRUM ('69-'72 H1/A/B)

ITEM NAME	PART NUMBER	QUANTITY
PIN SELECT FORK GUIDE (Ref # 1)	92043-016	3
WASHER LOCK 10MM (Ref # 2)	92031-001	3
FORK SELECTOR TOP (Ref # 3)	13140-013	1
FORK-SELECTOR,LOW (Ref # 4)	13140-014	1
DRUM ASSY-GEAR CHANGE (Ref # 5)	13239-007	1
PIN GEAR CHANGE DRUM (Ref # 6)	92042-014	6
PLATE CHANGE DRUM PIN (Ref # 7)	13142-004	1
WASHER LOCK 6MM (Ref # 8)	464H0600	1
SCREW PAN HEAD 6X12 (Ref # 9)	220B0612	1
SCREW PAN HEAD 6X25 (Ref # 10)	220B0625	1
WASHER SPRING 6MM (Ref # 11)	461F0600	1
ROTOR NEUTRAL SWITCH (Ref # 12)	13147-001	1
BUSH (Ref # 13)	92028-073	2
CIRCLIP (Ref # 14)	92033-015	2
BEARING NEEDLE (Ref # 15)	92046-010	2
WASHER THRUST (Ref # 16)	92022-112	3
WASHER THRUST (Ref # 17)	92022-113	2
2ND GEAR DRIVE SHAFT (Ref # 18)	13130-017	1
4TH GEAR DRIVE SHAFT (Ref # 19)	13134-003	1
WASHER 25MM (Ref # 20)	92022-076	4
CIRCLIP (Ref # 21)	92033-026	5
3RD GEAR DRIVE SHAFT (Ref # 22)	13132-014	1
TOP GEAR-DRIVE SHAFT (Ref # 23)	13136-041	1
SHAFT DRIVE (Ref # 24)	13127-019	1
BEARING BALL 6205NX3 (Ref # 25)	92045-010	1
WASHER THRUST (Ref # 26)	92022-114	1
WASHER LOCK 20MM (Ref # 27)	463G2000	1
NUT,20MM (Ref # 28)	92016-043	1
SHAFT OUTPUT (Ref # 29)	13128-020	1

# 1969 Mach III PARTS LIST

## TRANSMISSION/CHANGE DRUM ('69-'72 H1/A/B)

ITEM NAME	PART NUMBER	QUANTITY
BEARING BALL #6005 (Ref # 30)	601B6005	1
COLLAR (Ref # 31)	92027-052	1
2ND GEAR OUTPUT SHAFT (Ref # 32)	13131-011	1
4TH GEAR OUTPUT SHAFT (Ref # 33)	13135-007	1
3RD GEAR OUTPUT SHAFT (Ref # 34)	13133-015	1
TOP GEAR OUTPUT SHAFT (Ref # 35)	13137-010	1
LOW GEAR OUTPUT SHAFT (Ref # 36)	13129-024	1
NUT 18MM (Ref # 37)	92015-019	1
WASHER,LOCK,18MM (Ref # 38)	92024-067	1
ENGINE SPROCKET 15T (Ref # 39)	13144-030	1
ENG SPROCKET 16T (OPT (Ref # 39)	13144-036	(1
ENGINE SPROCKET 14T (Ref # 39)	13144-035	(1
OIL SEAL SC325210 (Ref # 40)	92050-024	1
SPACER-ENG SPROCKET (Ref # 41)	92026-1024	1
"O" RING (Ref # 42)	92055-035	1
WASHER 25MM (Ref # 43)	92022-076	1
WASHER-LOCK (Ref # 43)	92024-033	1
FORK,SELECTOR,2ND&3RD (Ref # 44)	13140-064	1
SWITCH NEUTRAL (Ref # 45)	13151-012	1
SCREW CNTSNK HD 6X16 (Ref # 46)	221B0616	1