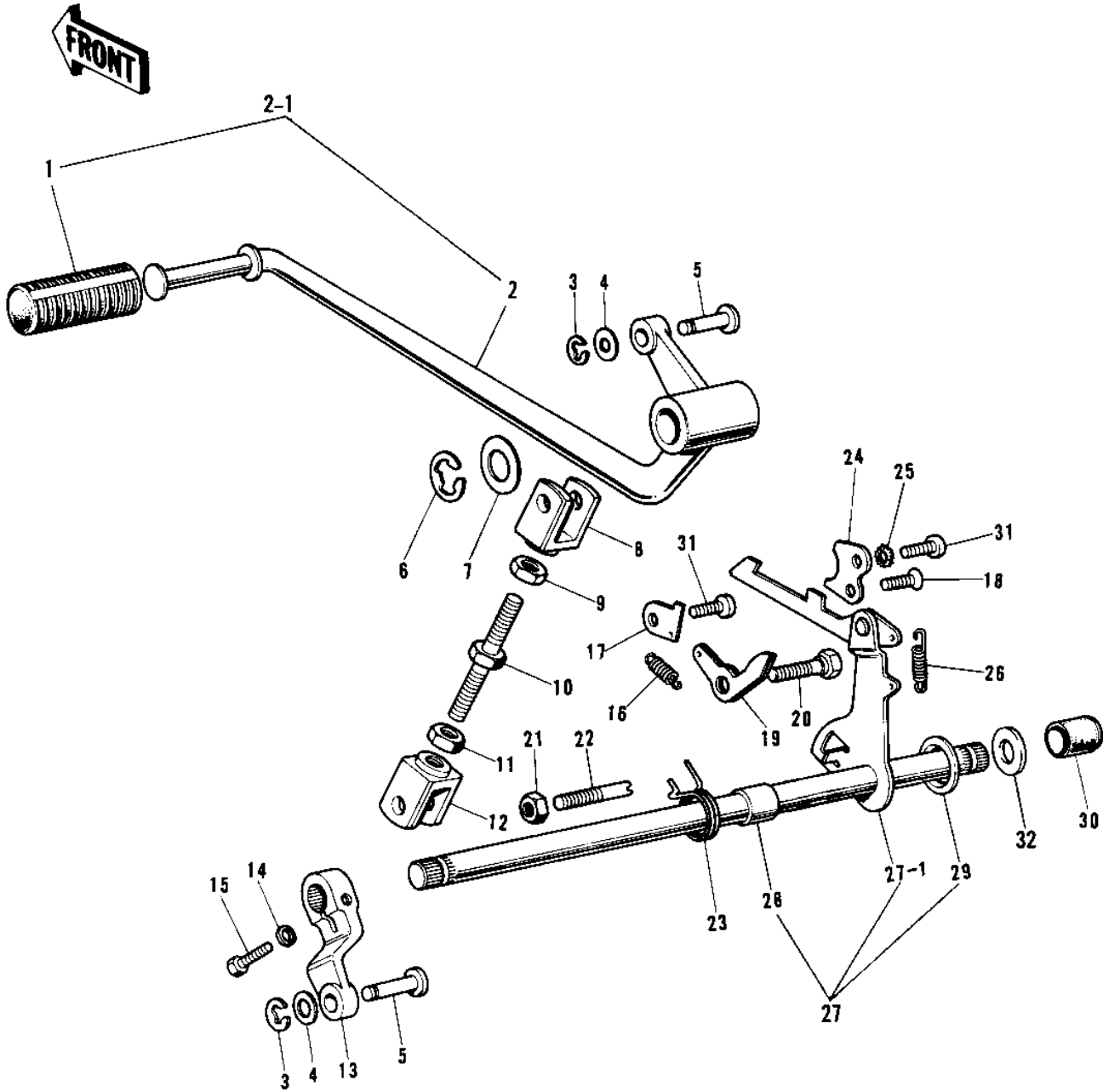


# 1973 H1-D PARTS DIAGRAM

GEAR CHANGE MECHANISM ('69-'72 H1/A/B/C)



## 1973 H1-D PARTS LIST

GEAR CHANGE MECHANISM ('69-'72 H1/A/B/C)

ITEM NAME	PART NUMBER	QUANTITY
RUBBER CHANGE PEDAL (Ref # 1)	13157-004	1
PEDAL GEAR CHANGE (Ref # 2)	13156-026	1
PEDAL ANY,GEAR CHANGE (Ref # 2)	13242-011	1
PEDAL ANY,GEAR CHANGE (Ref # 2-1)	13242-011	1
CIRCLIP 5MM (Ref # 3)	482K5000	2
WASHER PLAIN 6MM (Ref # 4)	410B0600	2
WASHER PLAIN 8MM (Ref # 4)	410B0800	2
PIN JOINT (Ref # 5)	92043-024	2
PIN (Ref # 5)	92043-069	2
CIRCLIP 12MM (Ref # 6)	482K0200	1
WASHER BRAKE PEDAL (Ref # 7)	92022-085	1
JOINT (Ref # 8)	13159-005	1
CONNECTOR,A (Ref # 8)	13159-007	1
NUT 8MM (Ref # 9)	318B0800	1
NUT,8MM (Ref # 9)	318N0800	AL
BOLT CHNG PEDAL JOINT (Ref # 10)	92003-040	1
NUT 8MM (Ref # 11)	92017-004	1
NUT,8MM (Ref # 11)	92017-010	AL
JOINT (Ref # 12)	13159-006	1
CONNECTOR,B (Ref # 12)	13159-008	1
LEVER CHANGE PEDAL (Ref # 13)	13158-004	1
LEVER-GEAR CHANGE (Ref # 13)	13158-011	1
WASHER SPRING 6MM (Ref # 14)	461F0600	1
WASHER SPRING 8MM (Ref # 14)	461F0800	1
BOLT-UPSET,6X20 (Ref # 15)	112G0620	1
BOLT-SMALL-UPSET,8X22 (Ref # 15)	115B0822	1
SPRING,CHNG DRUM LEVR (Ref # 16)	92081-1045	1
SPRING,CHNG DRUM LEVR (Ref # 16)	92081-1045	1
PLATE CHANGE DRUM LEV (Ref # 17)	13170-004	1

## 1973 H1-D PARTS LIST

GEAR CHANGE MECHANISM ('69-'72 H1/A/B/C)

ITEM NAME	PART NUMBER	QUANTITY
SCREW CNTSNK HD 6X16 (Ref # 18)	212B0616	1
LEVER GEAR CHNG DRUM (Ref # 19)	13168-012	1
BOLT,CHANGE DRUM LEVE (Ref # 20)	92150-1450	1
NUT 8MM (Ref # 21)	312B0800	1
BOLT,RETURN SPRING (Ref # 22)	92001-1401	1
BOLT,RETURN SPRING (Ref # 22)	92001-1401	1
SPRING,TENTION (Ref # 23)	92081-1129	1
SPRING,TENTION (Ref # 23)	92081-1129	1
PLATE CHNG DRUM PSTON (Ref # 24)	13169-005	1
WASHER LOCK 6MM (Ref # 25)	464H0600	1
SPRING,CHANGE LEVER (Ref # 26)	92144-1720	1
LEVER ANY,GEAR CHANGE (Ref # 27)	13162-008	1
LEVER ASSY GEAR CHNG (Ref # 27-1)	13161-035	1
LEVER ASSY GEAR CHNG (Ref # 27-1)	13161-035	1
COLLAR (Ref # 28)	92027-121	1
SPACER (Ref # 29)	92026-068	1
RUBBER CAP (Ref # 30)	13080-004	1
SCREW PAN HEAD 6X16 (Ref # 31)	220B0616	2
SHIM-KICK SHAFT,0.5T (Ref # 32)	92022-150	1