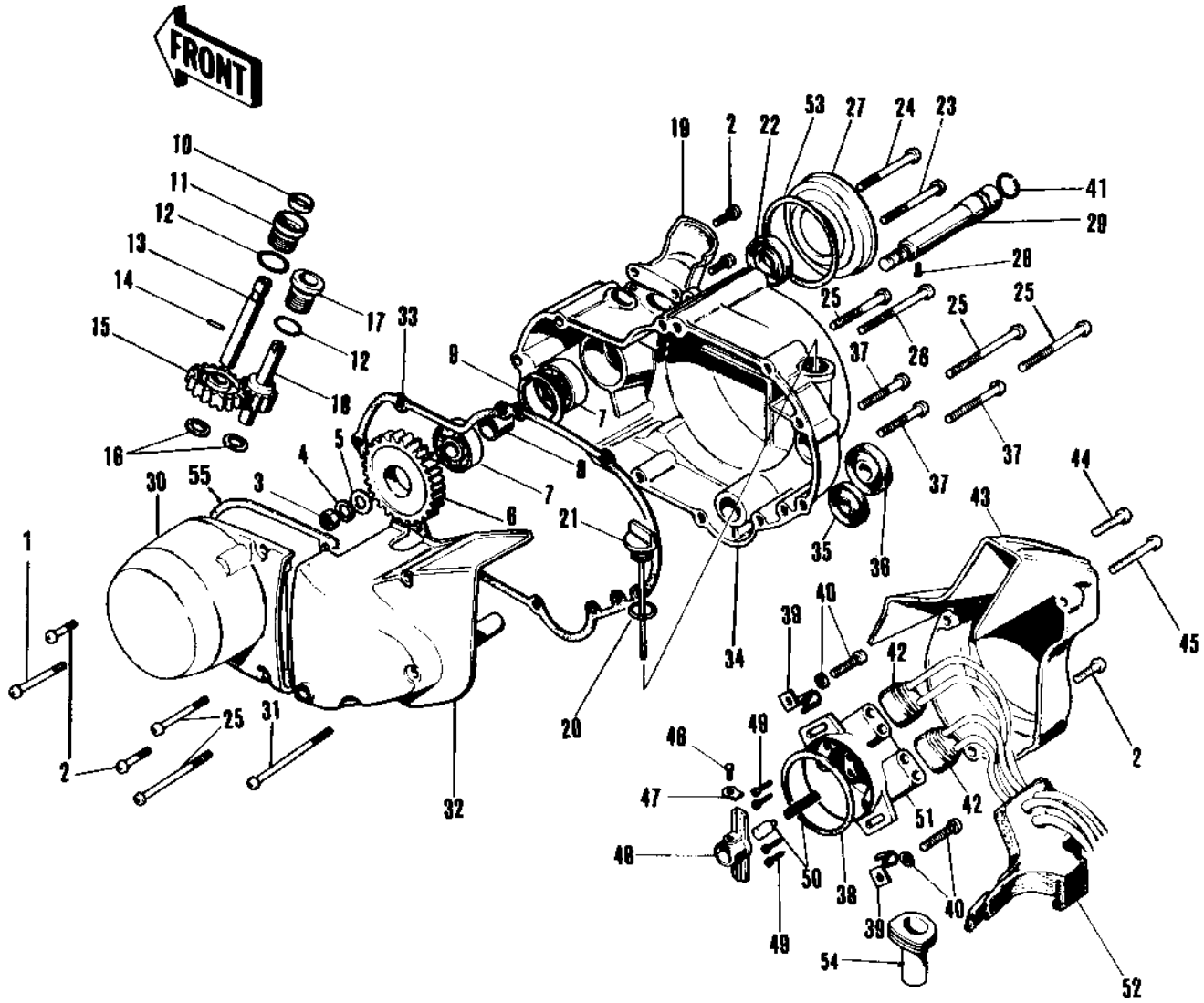


# 1974 H1-E PARTS DIAGRAM

ENGINE COVERS (H1/A/C)



**(H1/A)**

# 1974 H1-E PARTS LIST

## ENGINE COVERS (H1/A/C)

ITEM NAME	PART NUMBER	QUANTITY
SCREW PAN HEAD 6X40 (Ref # 1)	220B0640	1
SCREW PAN HEAD 6X20 (Ref # 2)	220B0620	5
NUT 6MM (Ref # 3)	311B0600	1
WASHER SPRING 6MM (Ref # 4)	461F0600	1
WASHER,6.5X16X2 (Ref # 5)	92022-1565	1
GEAR DISTRIBUTOR (Ref # 6)	21147-001	1
BEARING-BALL (Ref # 7)	92045-1235	2
COLLAR (Ref # 8)	92027-051	1
CIRCLIP Z8MM (Ref # 9)	481J2800	1
OIL SEAL (Ref # 10)	92054-004	1
BUSH (Ref # 11)	92028-075	1
"0" RING (Ref # 12)	92055-025	2
SHAFT TACHOMETER GEAR (Ref # 13)	13226-004	1
PIN,DOWEL (Ref # 14)	92042-035	1
GEAR TACHOMETER (Ref # 15)	13224-005	1
WASHER THRUST (Ref # 16)	92026-026	2
BUSH (Ref # 17)	92028-074	1
GEAR OIL PUMP (Ref # 18)	16085-011	1
COVER OIL PUMP LEVER (Ref # 19)	14030-024	1
"0" RING,20MM (Ref # 20)	670B2020	1
PLUG-OIL FILLER (Ref # 21)	16115-017	1
PLUG-OIL FILLER (Ref # 21)	16115-017	1
OIL SEAL TB15256 (Ref # 22)	92049-008	1
SCREW PAN HEAD 6X25 (Ref # 23)	220B0625	1
SCREW PAN HEAD 6X80 (Ref # 24)	220B0680	2
SCREW PAN HEAD 6X55 (Ref # 25)	220B0655	5
SCREW PAN HEAD 6X60 (Ref # 26)	220B0660	1
INSULATOR-DISBRIBUTOR (Ref # 27)	21144-002	1
PIN DOWEL 3X8 (Ref # 28)	551A0308	1

# 1974 H1-E PARTS LIST

## ENGINE COVERS (H1/A/C)

ITEM NAME	PART NUMBER	QUANTITY
SHAFT DISTRIBUTOR (Ref # 29)	21143-001	1
SHAFT-DISBRIBUTOR (Ref # 29)	21143-002	1
COVER L.H ENGINE (Ref # 30)	14031-030	1
SCREW PAN HEAD 6X85 (Ref # 31)	220B0685	1
COVER,CHN CASE,BUFF (Ref # 32)	14026-024-80	1
COVER,CHN CASE,BUFF (Ref # 32)	14026-024-80	1
GASKET R.H ENGINE COV (Ref # 33)	14046-014	1
COVER R.H ENGINE (Ref # 34)	14032-042	1
OIL SEAL SB12205 (Ref # 35)	92049-004	1
OIL SEAL SB16244 (Ref # 36)	92049-002	1
SCREW PAN HEAD 6X30 (Ref # 37)	220B0630	3
GASKET (Ref # 38)	92065-048	1
CLAMP DISTRIBUTOR (Ref # 39)	21149-001	2
SCREW-PAN-WS-CROS (Ref # 40)	223B0410	2
CIRCLIP (Ref # 41)	92036-016	1
GROMMET DISTRIBUTOR (Ref # 42)	92071-031	2
COVER OIL PUMP (Ref # 43)	14030-025	1
SCREW PAN HEAD 6X45 (Ref # 44)	220B0645	1
SCREW PAN HEAD 6X100 (Ref # 45)	220B06100	1
SCREW 4X16 (Ref # 46)	92011-016	1
WASHER LOCK 4MM (Ref # 47)	92024-013	1
ROTOR-DISTRIBUTOR (Ref # 48)	21142-003	1
ROTOR-DISTRIBUTOR (Ref # 48)	21142-002	1
SCREW CORD FIT (Ref # 49)	92100-001	4
BRUSH CARBON (Ref # 50)	21088-008	1
CAP DISTRIBUTOR (Ref # 51)	21141-001	1
GROMMET TENSION CORD (Ref # 52)	92071-040	1
GROMMET TENSION CORD (Ref # 52)	92071-043	1
GASKET (Ref # 53)	92065-072	1