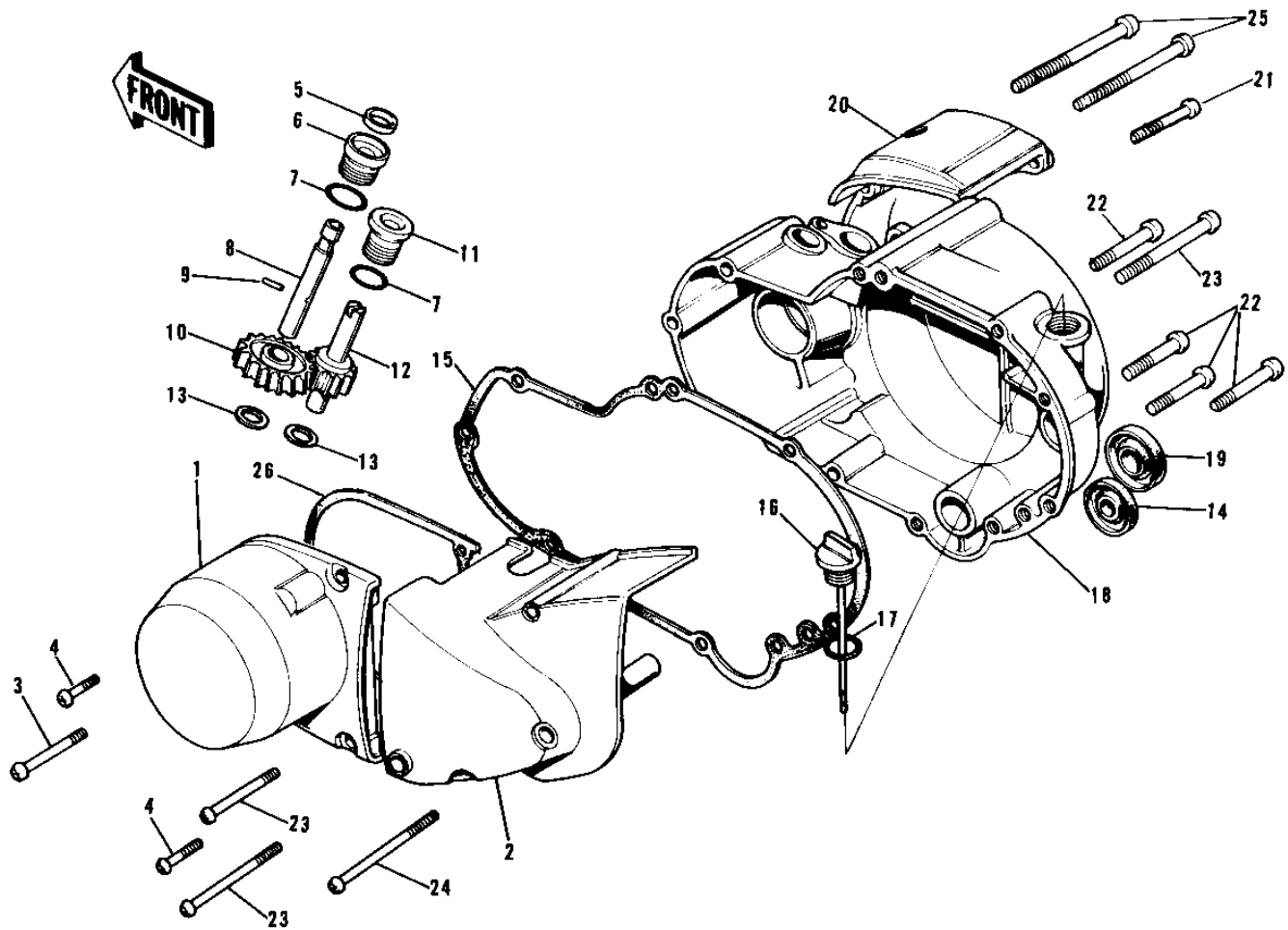


1973 H1-D PARTS DIAGRAM

ENGINE COVERS (H1-B)

Re



1042-1

(H1-B)

1973 H1-D PARTS LIST

ENGINE COVERS (H1-B)

ITEM NAME	PART NUMBER	QUANTITY
COVER L.H ENGINE (Ref # 1)	14031-030	1
COVER,CHN CASE,BUFF (Ref # 2)	14026-024-80	1
COVER,CHN CASE,BUFF (Ref # 2)	14026-024-80	1
SCREW PAN HEAD 6X40 (Ref # 3)	220B0640	1
SCREW PAN HEAD 6X20 (Ref # 4)	220B0620	2
OIL SEAL (Ref # 5)	92054-004	1
BUSH (Ref # 6)	92028-075	1
"0" RING (Ref # 7)	92055-025	2
SHAFT TACHOMETER GEAR (Ref # 8)	13226-004	1
PIN,DOWEL (Ref # 9)	92042-035	1
GEAR TACHOMETER (Ref # 10)	13224-005	1
BUSH (Ref # 11)	92028-074	1
GEAR OIL PUMP (Ref # 12)	16085-011	1
WASHER THRUST (Ref # 13)	92026-026	2
OIL SEAL SB12205 (Ref # 14)	92049-004	1
GASKET R.H ENGINE COV (Ref # 15)	14046-014	1
PLUG-OIL FILLER (Ref # 16)	16115-017	1
PLUG-OIL FILLER (Ref # 16)	16115-017	1
"0" RING,20MM (Ref # 17)	670B2020	1
COVER-RH ENG,SILVER (Ref # 18)	14032-071-36	1
COVER,R.H.ENGINE (Ref # 18)	14032-1024-80	1
COVER,R.H.ENGINE (Ref # 18)	14032-1024-80	1
OIL SEAL SB16244 (Ref # 19)	92049-002	1
COVER,OIL PUMP,BUFF (Ref # 20)	14030-036-80	1
COVER,OIL PUMP,BUFF (Ref # 20)	14030-036-80	1
SCREW PAN HEAD 6X25 (Ref # 21)	220B0625	1
SCREW PAN HEAD 6X30 (Ref # 22)	220B0630	7
SCREW PAN HEAD 6X55 (Ref # 23)	220B0655	3
SCREW PAN HEAD 6X85 (Ref # 24)	220B0685	1